



ILLUSTRATED PARTS BOOK

43cc Wheeled String Trimmer Mower

SWSTM4317

SWSTM4317.1

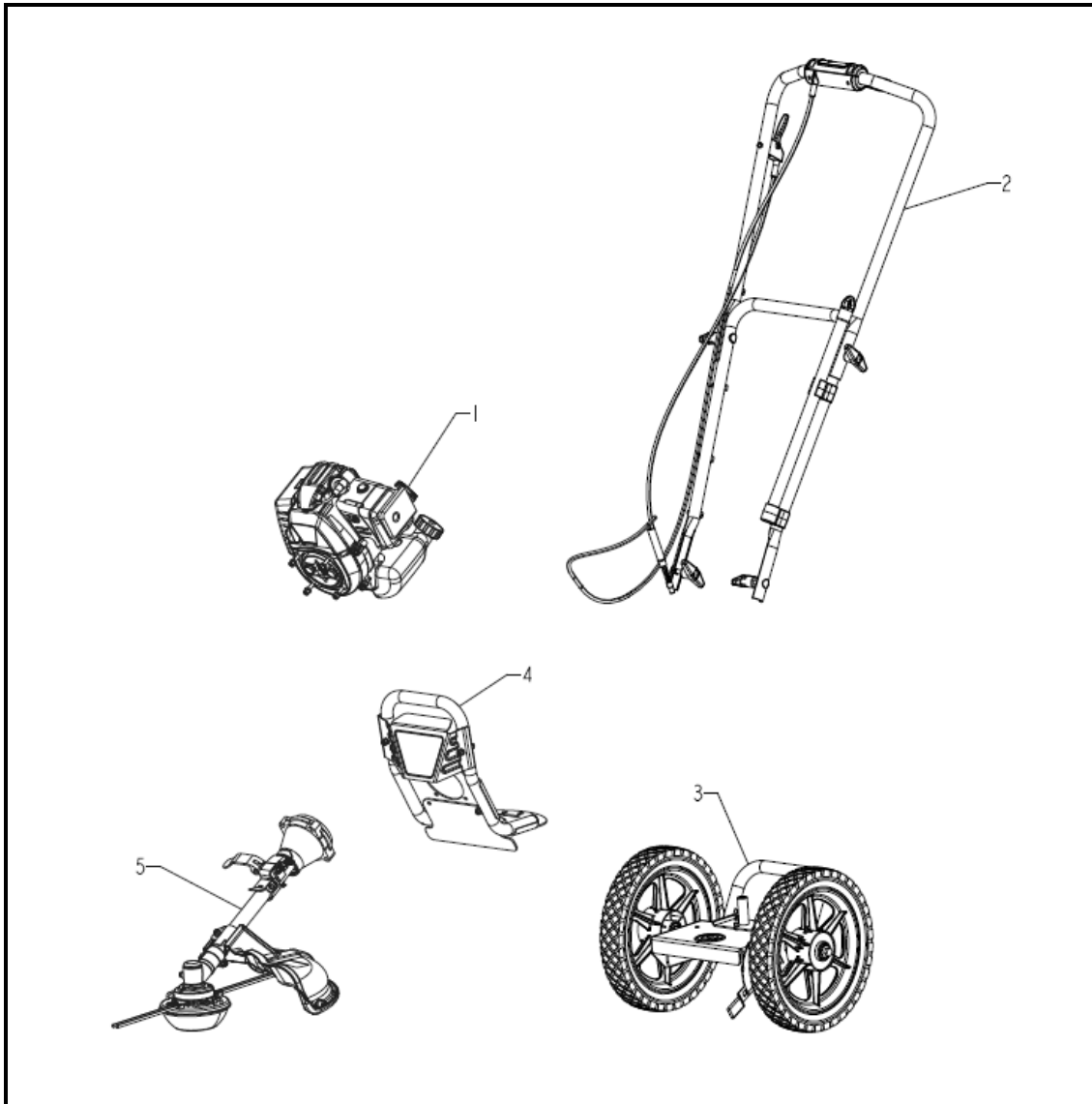
SWSTM4317.2



# Table of Contents

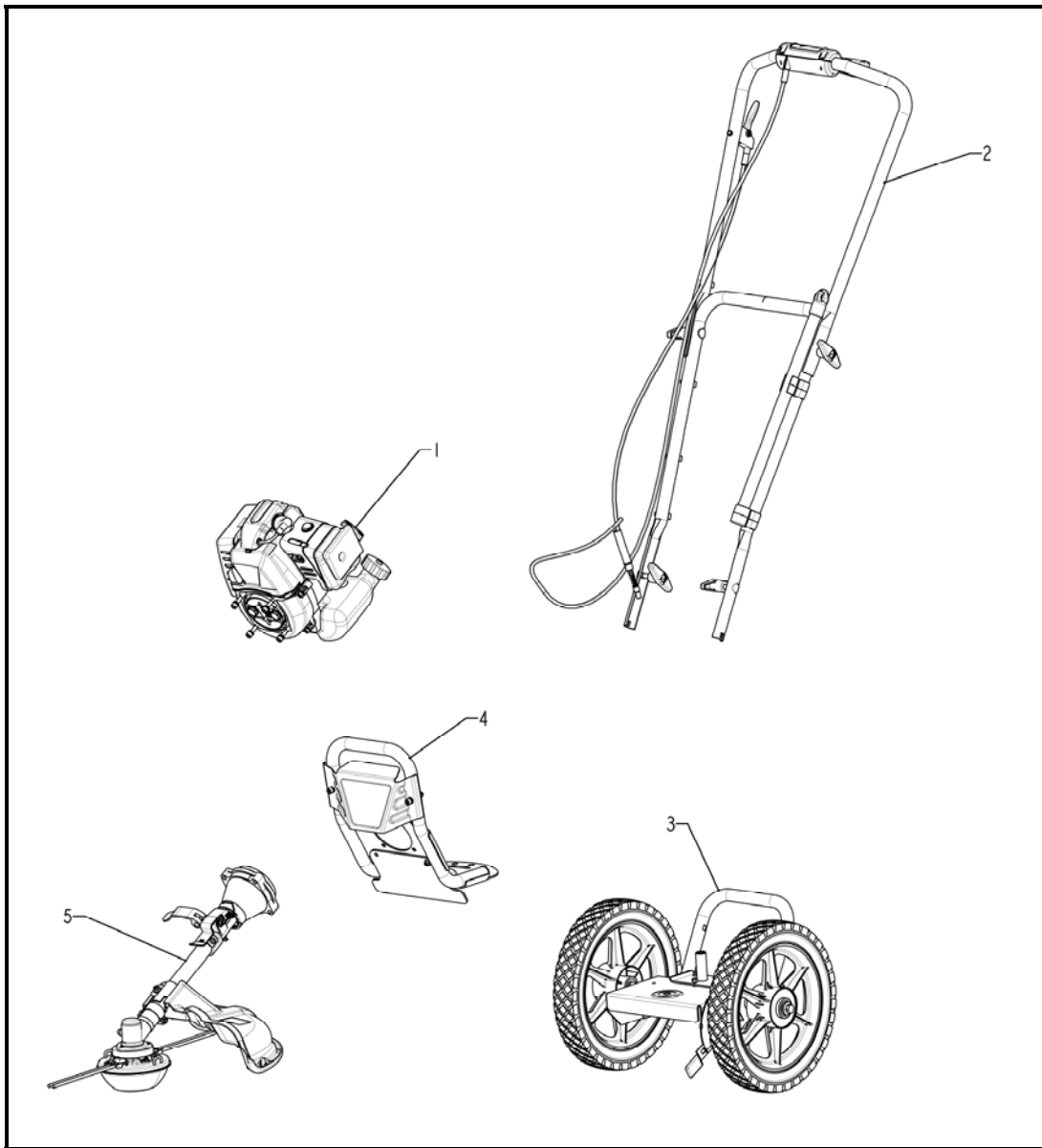
Unit Assembly (for SWSTM4317).....	2
Unit Assembly (for SWSTM4317.1 & SWSTM4317.2).....	3
Engine-Top Level.....	4
Handle Assembly (for SWSTM4317).....	5
Handle Assembly (for SWSTM4317.1 & SWSTM4317.2).....	6
Lower Weldment Assembly.....	7
Upper Weldment Assembly.....	8
Cutting Head Assembly.....	9
Engine Sub-Assemblies:	
Air Filter Assembly.....	10
Carburetor Assembly.....	11
Muffler Assembly.....	12
Fuel Tank Assembly.....	13
Clutch Assembly.....	14
Recoil Starter Assembly.....	15
Cylinder Assembly.....	16
Ignition Assembly.....	17
Air Cooling Assembly.....	18
Engine Air Intake Screen Assembly.....	19
Decal Kit.....	20

# Unit Assembly (for SWSTM4317)



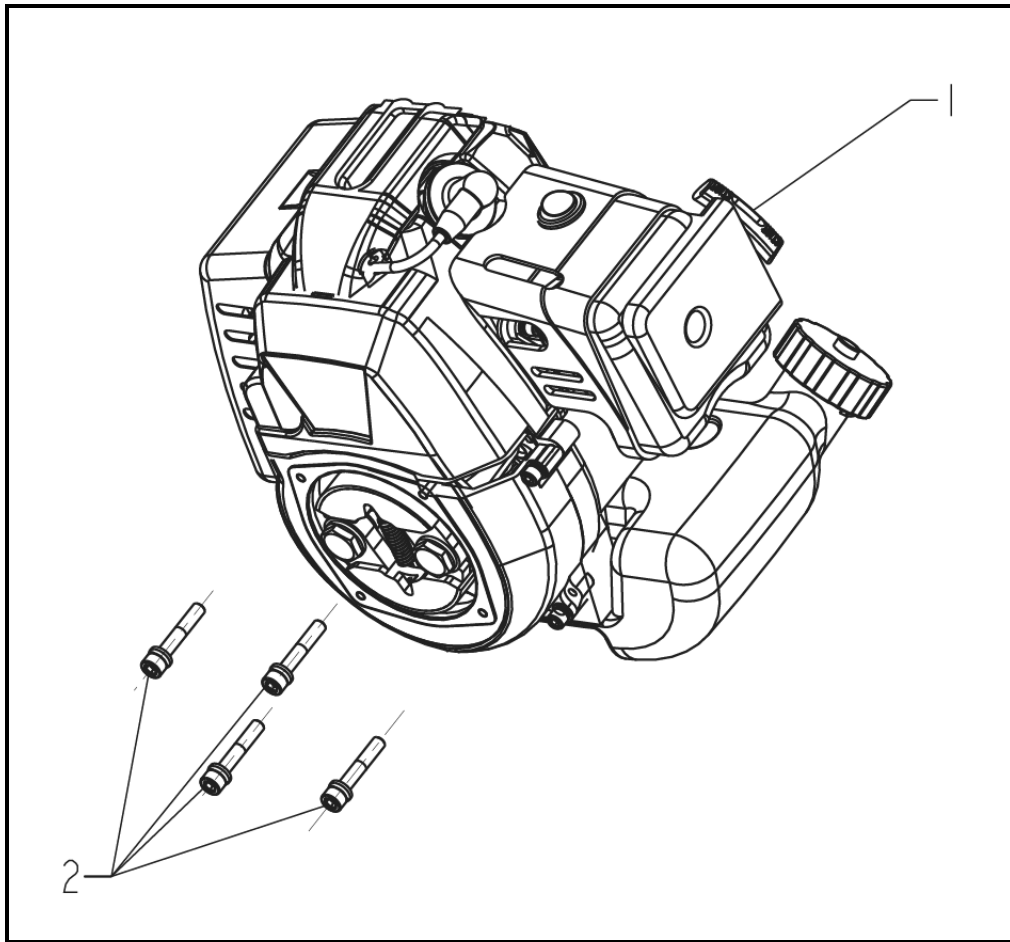
REF. NO.	DESCRIPTION	PART NO.	QTY
1	Engine-Top Level	See Page 4	1
2	Handle Assembly	See Page 5	1
3	Lower Weldment Assembly	See Page 7	1
4	Upper Weldment Assembly	See Page 8	1
5	Cutting Head Assembly	See Page 9	1

# Unit Assembly (for SWSTM4317.1 & SWSTM4317.2)



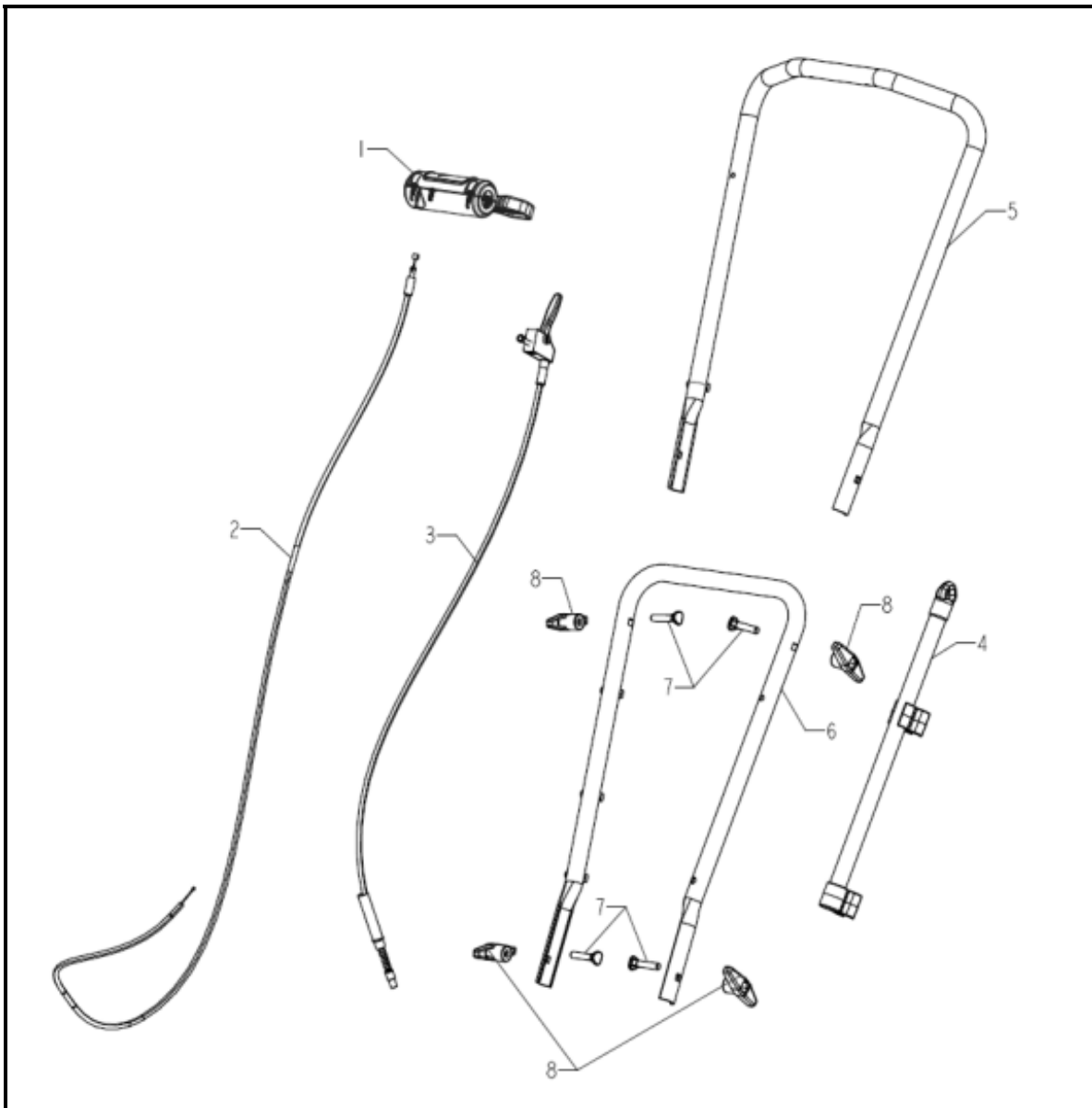
REF. NO.	DESCRIPTION	PART NO.	QTY
1	Engine-Top Level	See Page 4	1
2	Handle Assembly	See Page 6	1
3	Lower Weldment Assembly	See Page 7	1
4	Upper Weldment Assembly	See Page 8	1
5	Cutting Head Assembly	See Page 9	1

# Engine-Top Level



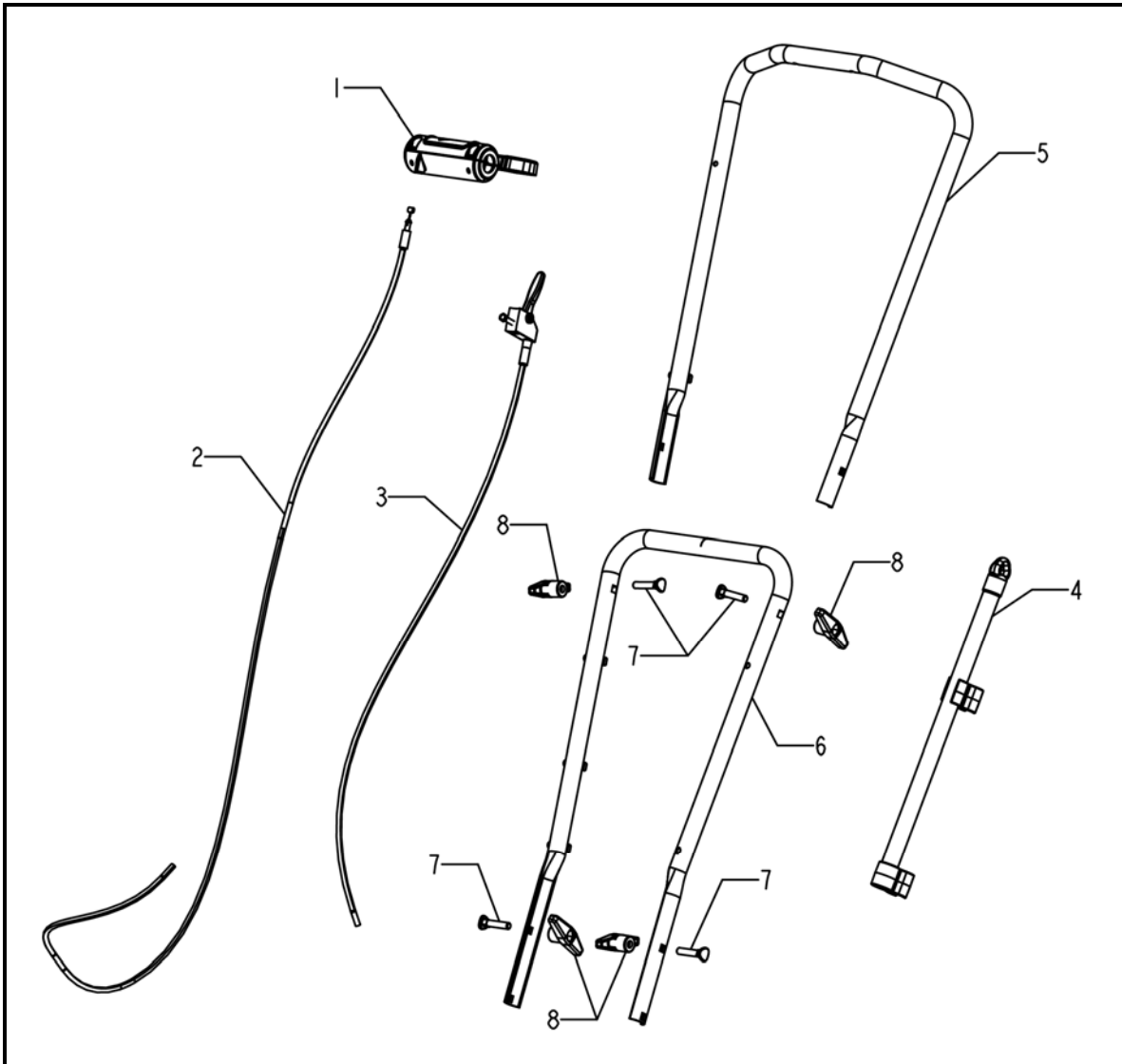
REF. NO.	DESCRIPTION	PART NO.	QTY
1	Engine, 43cc	A203550	1
2	Screw, M6 x 1.0 x 35, SHCS, Grade 8.8	<i>Reference Only</i>	4

# Handle Assembly (for SWSTM4317)



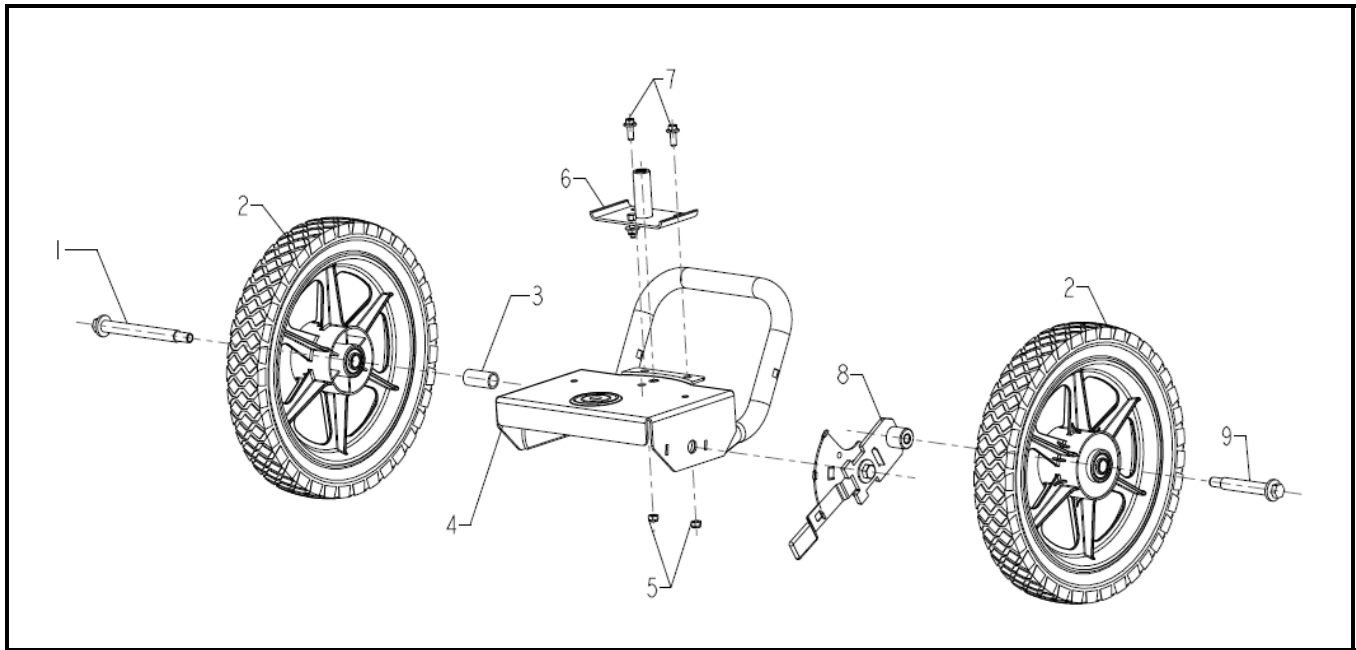
REF. NO.	DESCRIPTION	PART NO.	QTY
1	Kit, Throttle Assembly	A203628	1
2	Cable, Throttle	A203603	1
3	Kit, Pivot Trigger	A203629	1
4	Kit, Spare String Storage	A203630	1
5	Handle, Upper	A203595	1
6	Handle, Middle	A203594	1
7	Bolt, M8 x 1.25 x 45, Saddle	<i>Reference Only</i>	4
8	Knob, Handle	A200190	4

# Handle Assembly (for SWSTM4317.1 & SWSTM4317.2)



REF. NO.	DESCRIPTION	PART NO.	QTY
1	Kit, Throttle Assembly	A203628	1
2	Cable, Throttle	A203829	1
3	Kit, Pivot Trigger	A203830	1
4	Kit, Spare String Storage	A203630	1
5	Handle, Upper	A203595	1
6	Handle, Middle	A203832	1
7	Bolt, M8 x 1.25 x 45, Saddle	<i>Reference Only</i>	4
8	Knob, Handle	A200190	4

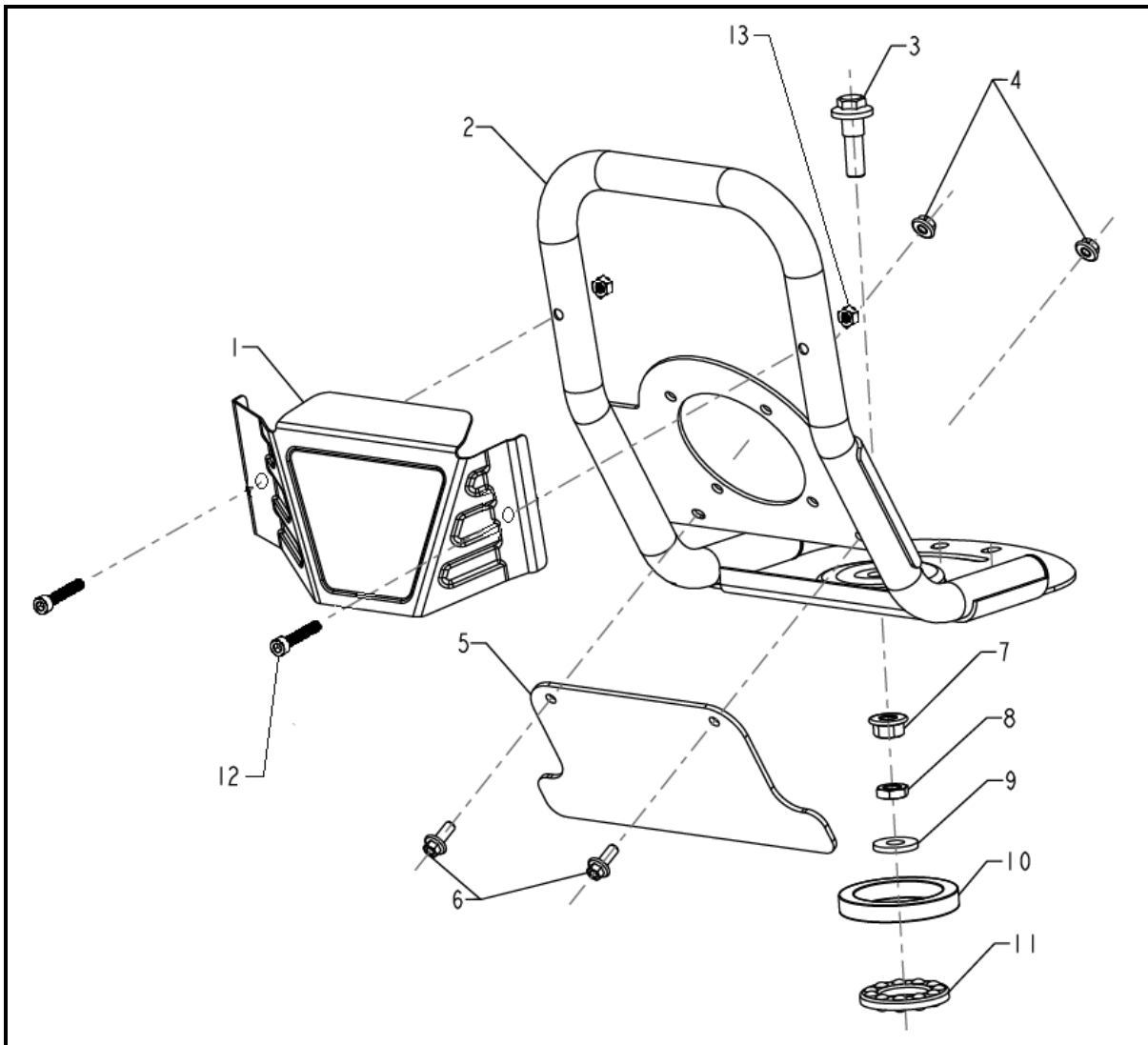
# Lower Weldment Assembly



REF. NO.	DESCRIPTION	PART NO.	QTY
1	Bolt, M10 x 1.5 x 120, Right Shoulder	A203576	1
2	Assembly, Wheel	A202385	2
3	Bushing	A203574	1
4A	Weldment, Lower Frame (for SWSTM4317)	A203571	1
4B	Weldment, Lower Frame (for SWSTM4317.1)	A203831	1
5	Nut, M6 x 1.0	<i>Reference Only</i>	2
6	Plate, Pivot Engagement	A203578	1
7	Bolt, M6 x 1.0 x 16, HFH, Grade 8.8	<i>Reference Only</i>	2
8	Assembly, Wheel Adjuster Bevel	A203584	1
9	Bolt, M10 x 1.5 x 85, Left Shoulder	A203632	1

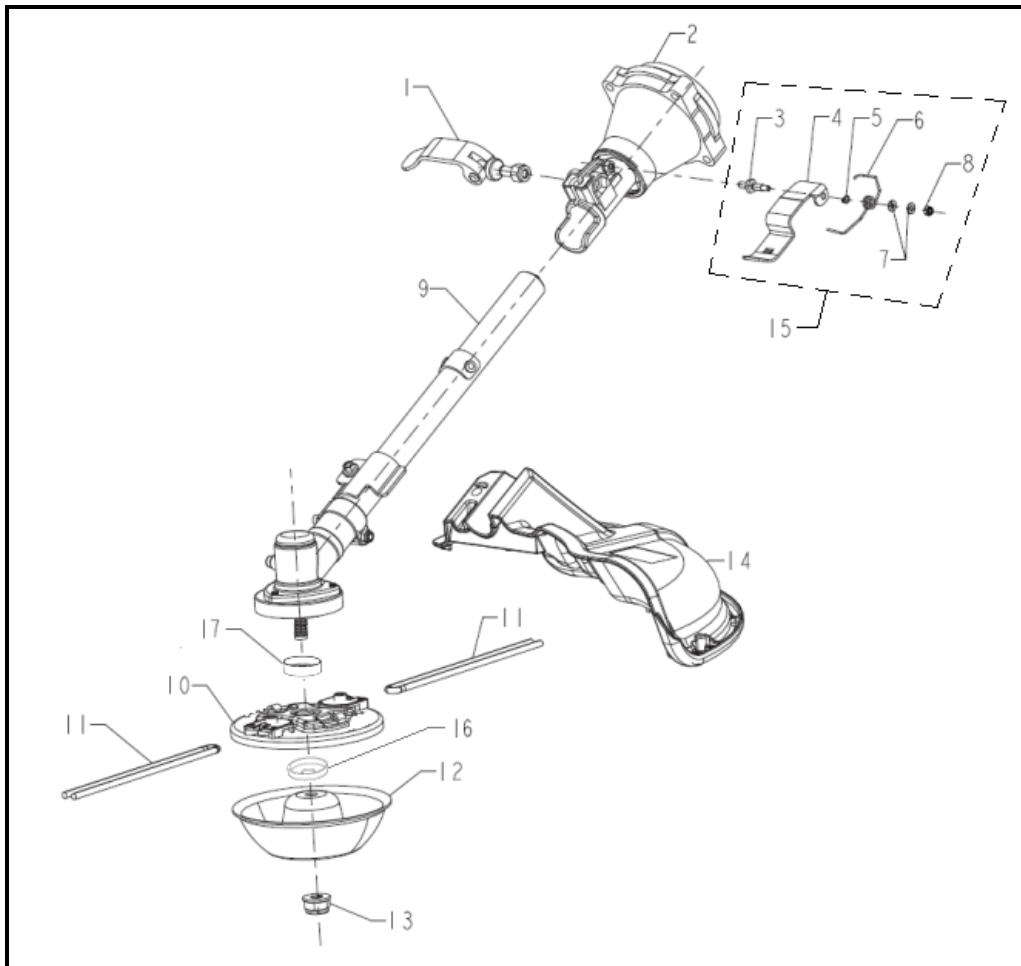


# Upper Weldment Assembly



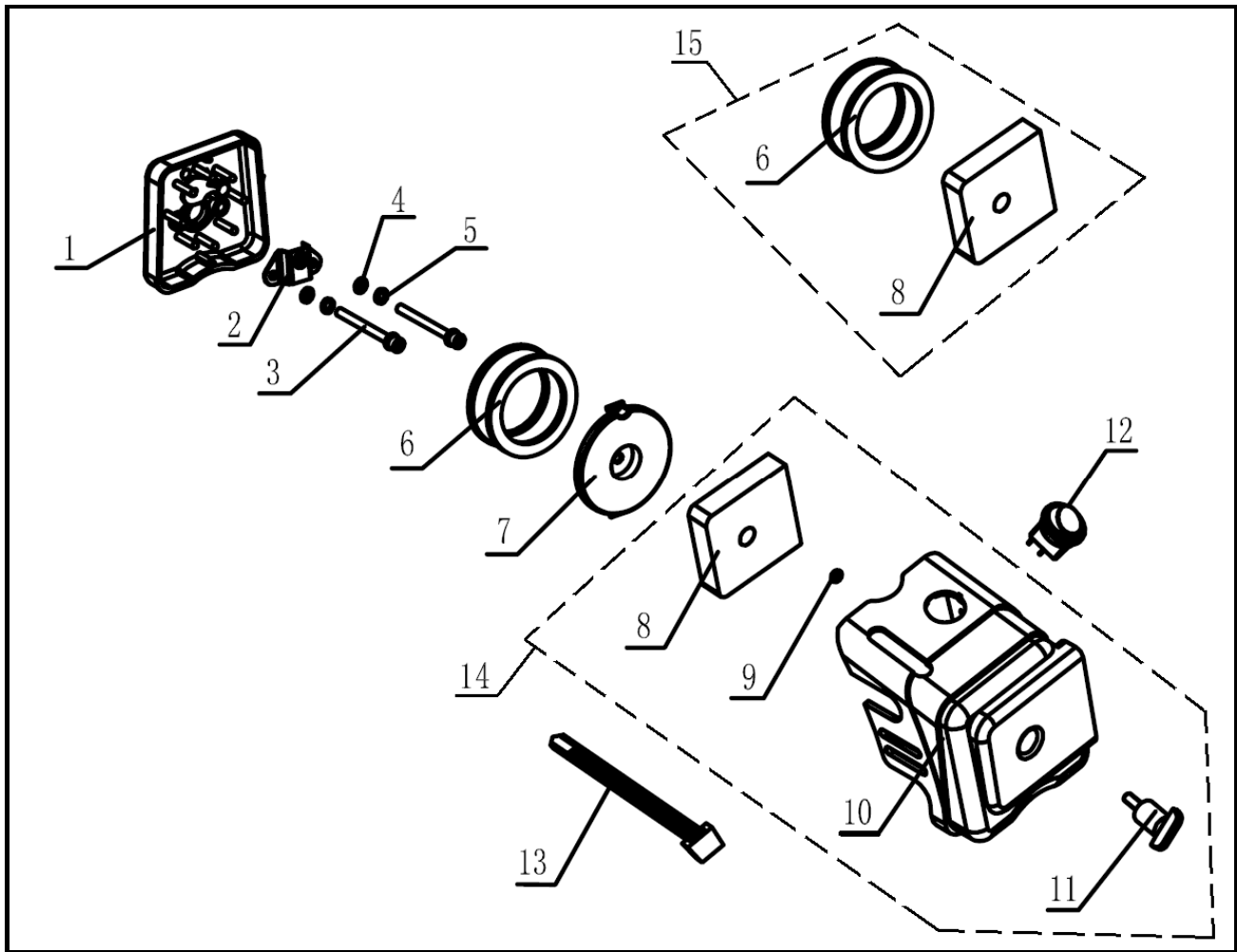
REF. NO.	DESCRIPTION	PART NO.	QTY
1	Plate, Front Decal, Southland Red	A203565	1
2	Weldment, Upper Frame	A203562	1
3	Bolt, M10 x 1.5 x 32, HFH Shoulder	Reference Only	1
4	Nut, M6 x 1.0	Reference Only	2
5	Flap, Guard	A203680	1
6	Bolt, M6 x 1.0 x 16, HFH, Grade 8.8	Reference Only	2
7	Nut, M10 x 1.5, HFH	Reference Only	1
8	Nut, M10 x 1.5	Reference Only	1
9	Flat Washer, M10	Reference Only	1
10	Seal, Felt	Reference Only	2
11	Cage, Bearing	Reference Only	1
12	Bolt, M6 x 1.0 x 35, SHCS, Grade 8.8	Reference Only	2
13	Nut, M6 x 1.0	Reference Only	2

# Cutting Head Assembly



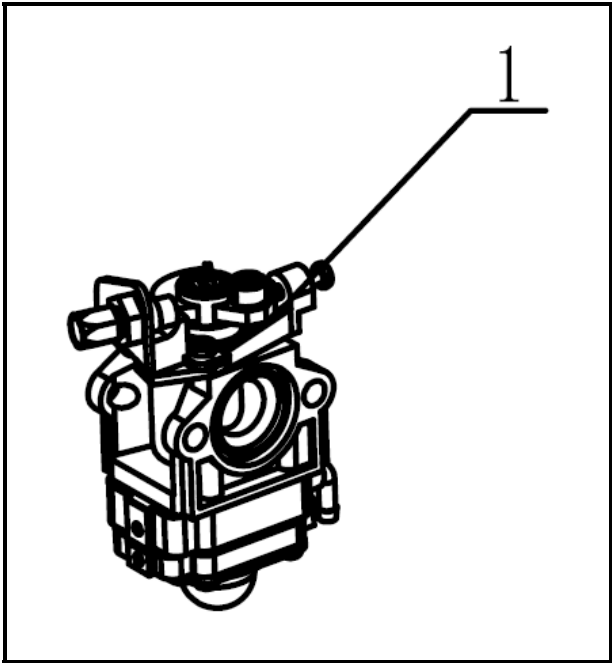
REF. NO.	DESCRIPTION	PART NO.	QTY
1	Assembly, Cam Lock	A203551	1
2	Kit, Upper Drive Housing Assembly	A203633	1
3	Shaft, Torsion Spring	<i>Reference Only</i>	1
4	Latch	A203552	1
5	Ring, Retaining	<i>Reference Only</i>	1
6	Spring, Torsion	<i>Reference Only</i>	1
7	Flat Washer, M4	<i>Reference Only</i>	2
8	Nut, M4	<i>Reference Only</i>	1
9	Kit, Cutting Head Assembly (Includes Item #17)	A203634	1
10	Kit, String Retention, Southland Red (Includes Item #17)	A203637	1
11	String, Trimmer	<i>Reference Only</i>	2
12	Bowl, Cutting Head, Southland Red	A203636	1
13	Nut, M10 x 1.25, LH	A203638	1
14	Kit, Debris Guard	A203635	1
15	Kit, Latch (Includes items #3-8)	A203681	1
16	Spacer	A203764	1
17	Spacer, Geared Cutting Head	<i>Reference Only</i>	1

# Air Filter Assembly



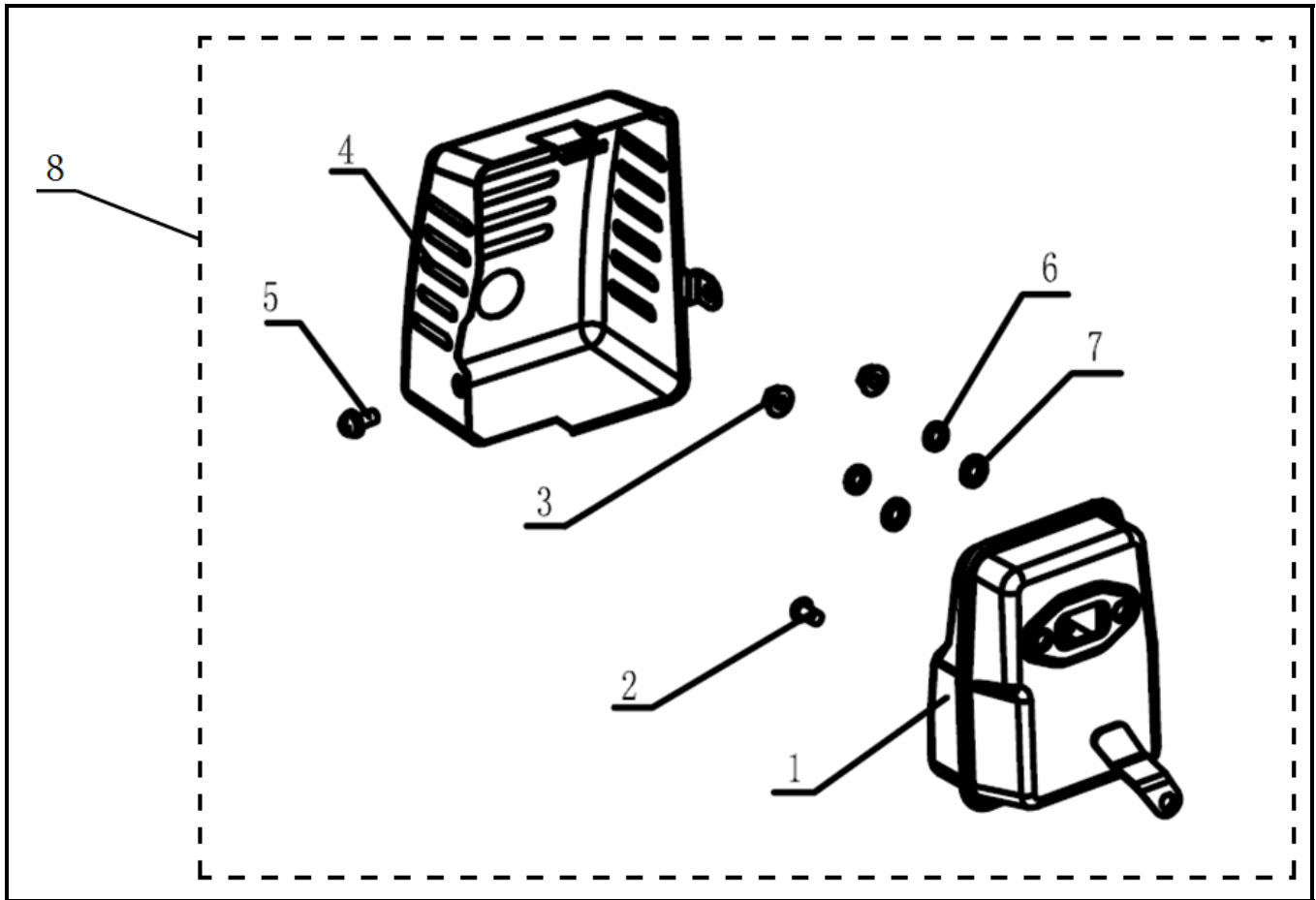
REF. NO.	DESCRIPTION	PART NO.	QTY
1	Housing, Air Filter	A200832	1
2	Bracket, Air Filter Mounting	A203644	1
3	Screw, M5 x 0.8 x 55, SHCS, Grade 8.8	Reference Only	2
4	Flat Washer, M5	Reference Only	2
5	Lock Washer, M5	Reference Only	2
6	Filter, Pleated	Reference Only	1
7	Mounting Plate, Air Filter	A200836	1
8	Filter, Foam Element	Reference Only	1
9	O-Ring, 3.15 x 1.8	Reference Only	1
10	Cover, Air Filter	Reference Only	1
11	Knob, Screw	Reference Only	1
12	Switch, On/Off	A203060	1
13	Cable Tie	Reference Only	1
14	Kit, Air Filter Cover with Filter (Includes items #8-11)	A203642	1
15	Kit, Filters (Includes items #6 & 8)	A203643	1

# Carburetor Assembly



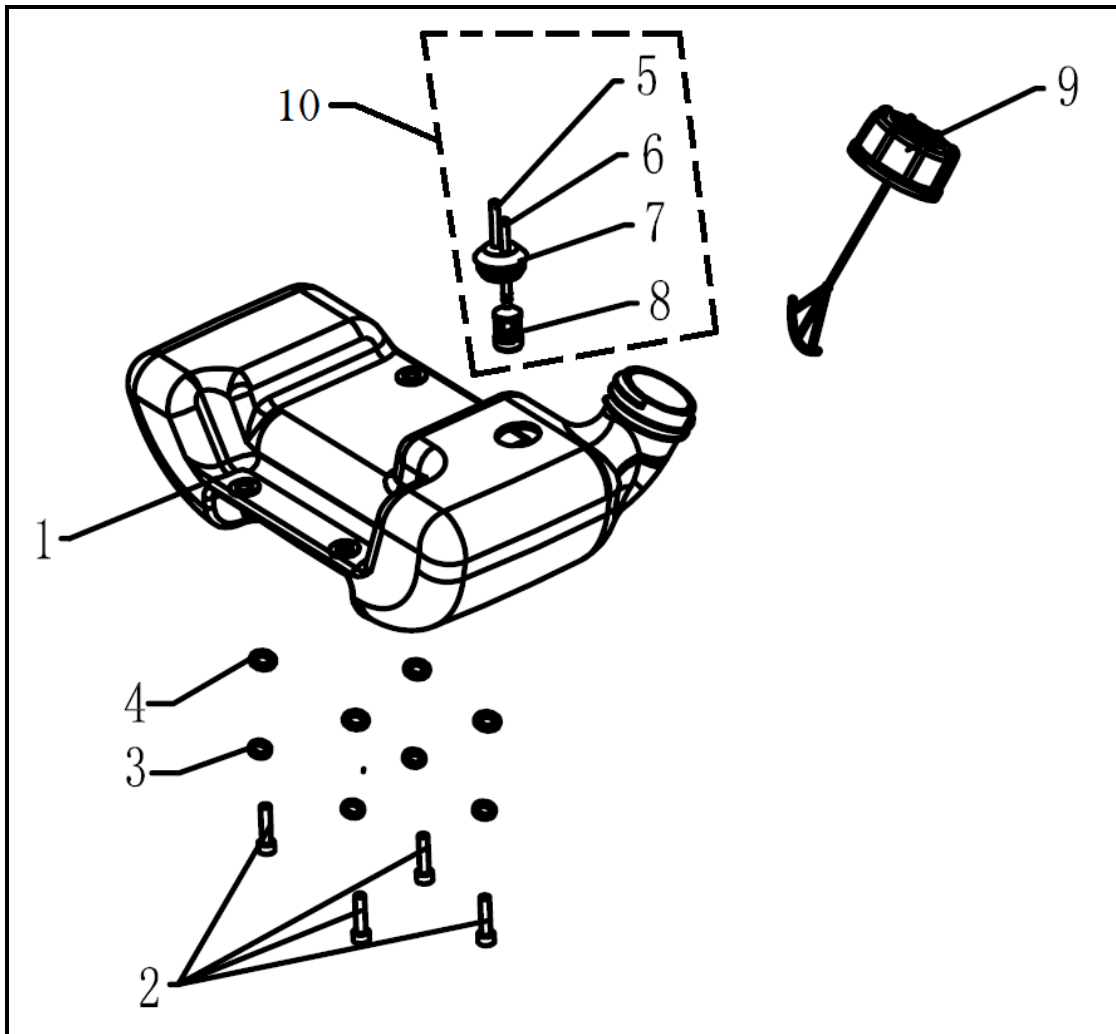
REF. NO.	DESCRIPTION	PART NO.	QTY
1	Carburetor	A200774	1

# Muffler Assembly



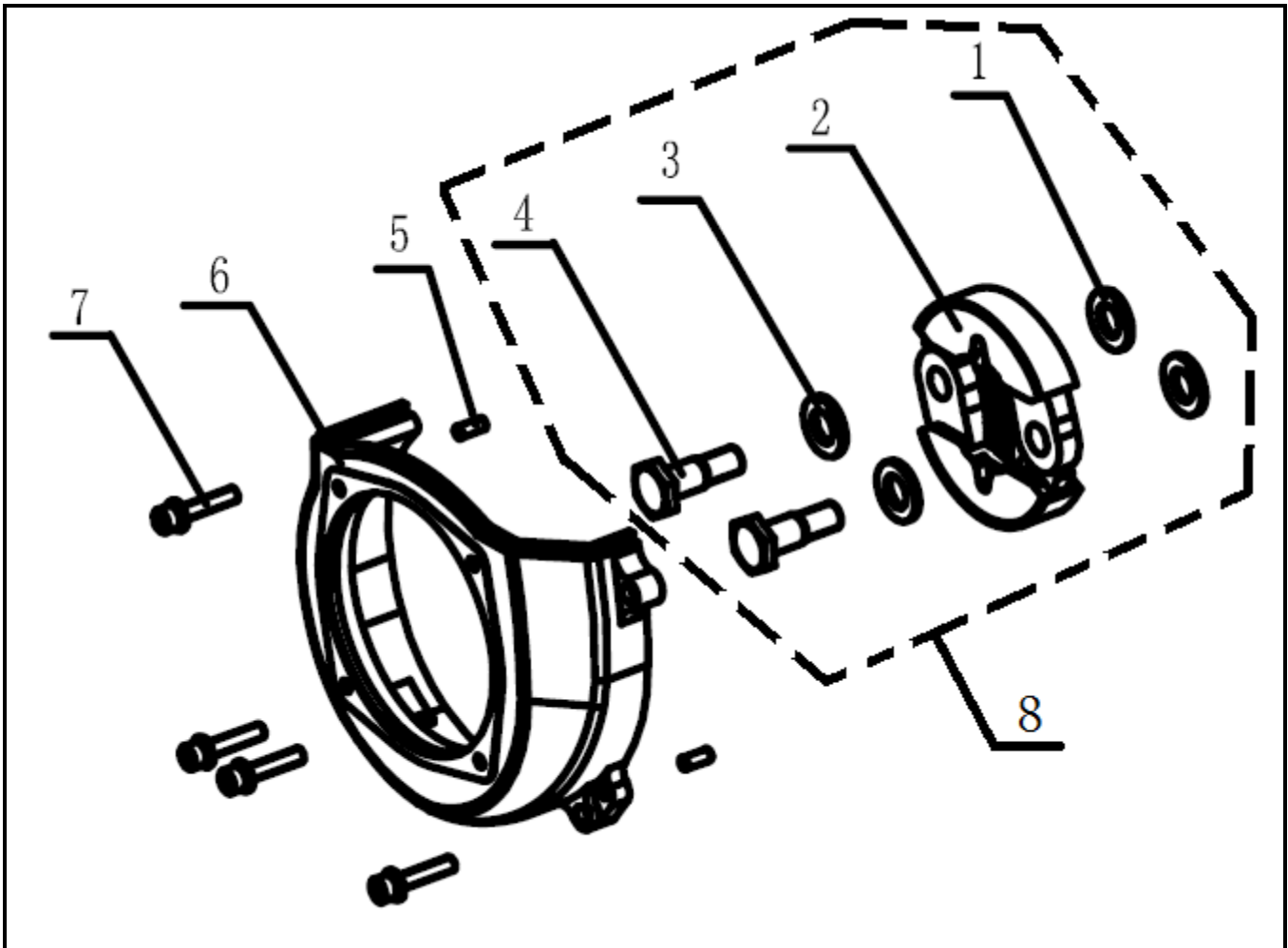
REF. NO.	DESCRIPTION	PART NO.	QTY
1	Muffler	<i>Reference Only</i>	1
2	Screw, M5 x 0.8 x 10, PHPD	<i>Reference Only</i>	1
3	Nut, M6 x 1.0	<i>Reference Only</i>	2
4	Cover, Muffler	A200844	1
5	Screw, M5 x 0.8 x 12, PHPD	<i>Reference Only</i>	1
6	Lock Washer, M6	<i>Reference Only</i>	2
7	Flat Washer, M6	<i>Reference Only</i>	2
8	Muffler Assembly (Includes items #1-7)	A200775	1

# Fuel Tank Assembly



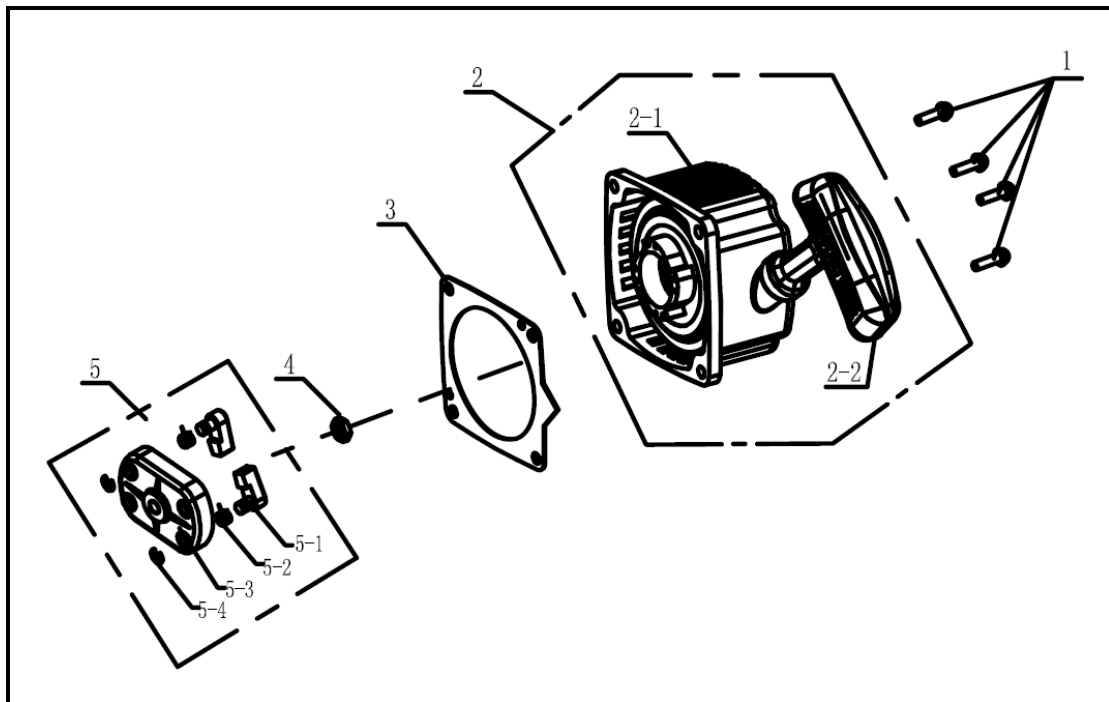
REF. NO.	DESCRIPTION	PART NO.	QTY
1	Tank, Fuel	A203640	1
2	Screw, M5 x 0.8 x 18, SHCS, Grade 8.8	Reference Only	4
3	Lock Washer, M5	Reference Only	4
4	Flat Washer, M5	Reference Only	4
5	Fuel Line 1	Reference Only	1
6	Fuel Line 2	Reference Only	1
7	Seal, Fuel Lines	Reference Only	1
8	Filter, Fuel	Reference Only	1
9	Cap, Fuel	A200781	1
10	Kit, Fuel Line/Filter (Includes items #5-8)	A203641	1

# Clutch Assembly



REF. NO.	DESCRIPTION	PART NO.	QTY
1	Flat Washer, M8	<i>Reference Only</i>	2
2	Clutch Shoes and Spring	<i>Reference Only</i>	1
3	Wave Spring Washer, M8	<i>Reference Only</i>	2
4	Bolt, M8 x 1.25 x 24, Hex Head Shoulder	<i>Reference Only</i>	2
5	Pin	<i>Reference Only</i>	2
6	Cover, Flywheel	A203679	1
7	Screw, M5 x 0.8 x 23, PHPD	<i>Reference Only</i>	4
8	Assembly, Clutch	A200782	1

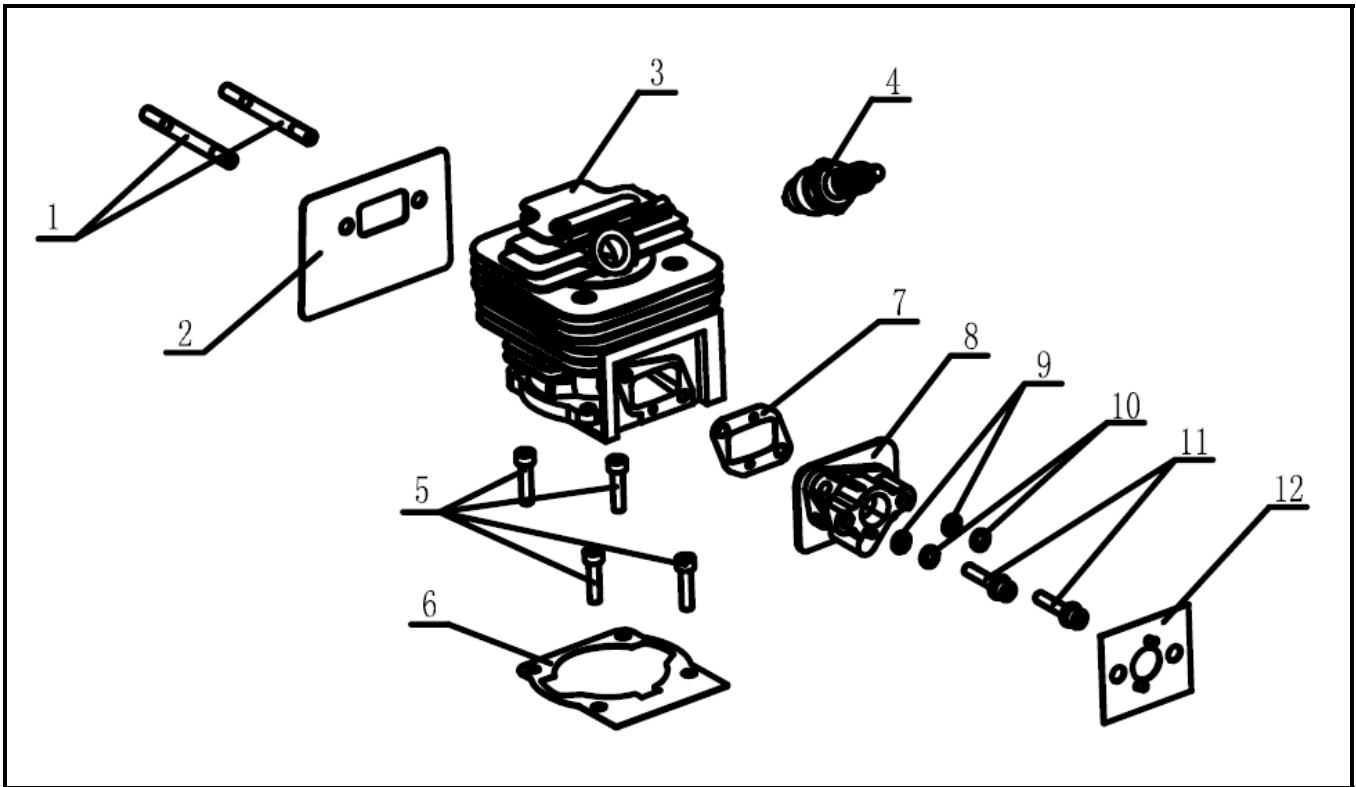
# Recoil Starter Assembly



REF. NO.	DESCRIPTION	PART NO.	QTY
1	Screw, M5 x 0.8 x 20, PHPD	<i>Reference Only</i>	4
2	Recoil Starter	A203645	1
2-1	Recoil	<i>Reference Only</i>	1
2-2	Handle, Recoil Starter	<i>Reference Only</i>	1
3	Gasket, Recoil Starter	A200865	1
4	Nut, M8 x 1.25	<i>Reference Only</i>	1
5	Assembly, Starter Pawl	A200697	1
5-1	Ratchet, Starting	<i>Reference Only</i>	2
5-2	Spring, Returning	<i>Reference Only</i>	2
5-3	Base, Starting Ratchet	<i>Reference Only</i>	1
5-4	Clip	<i>Reference Only</i>	2

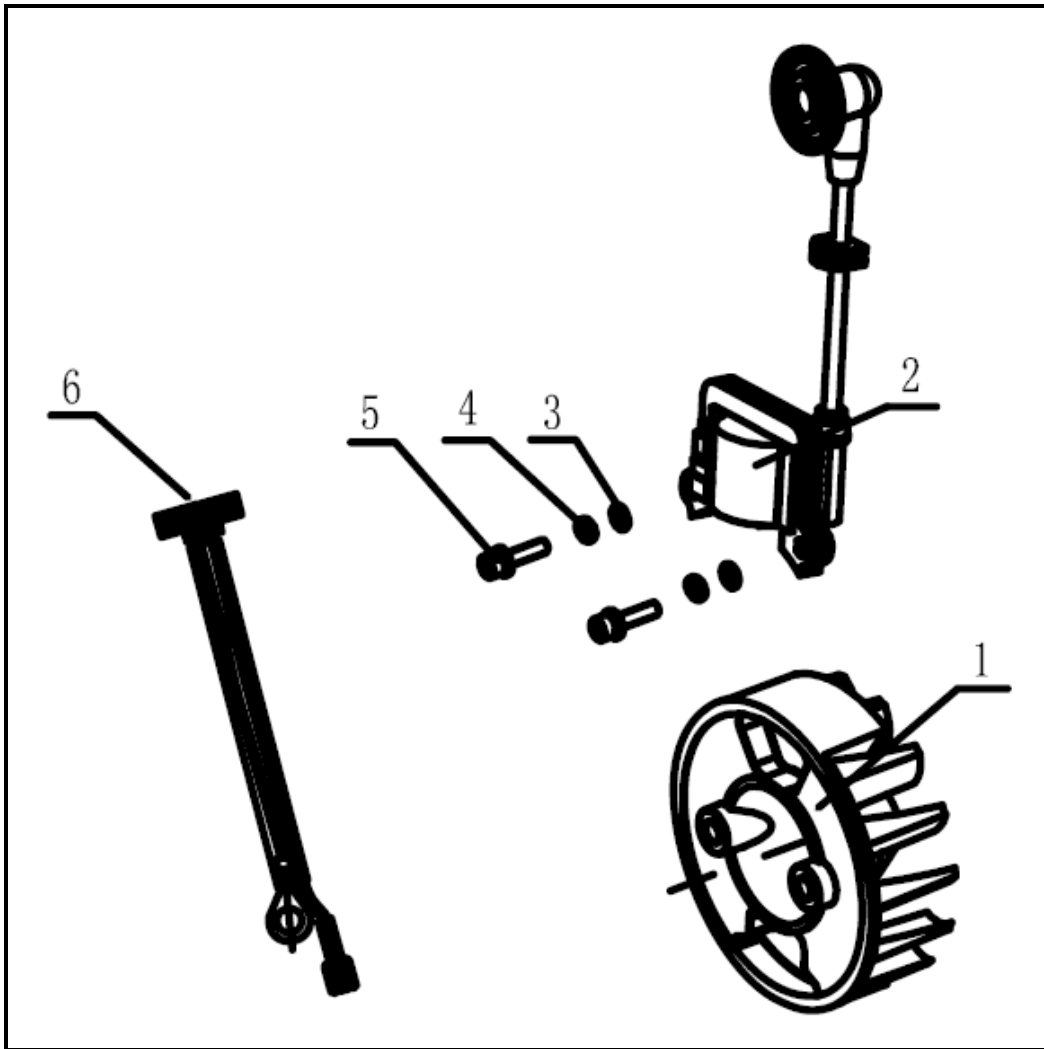


# Cylinder Assembly



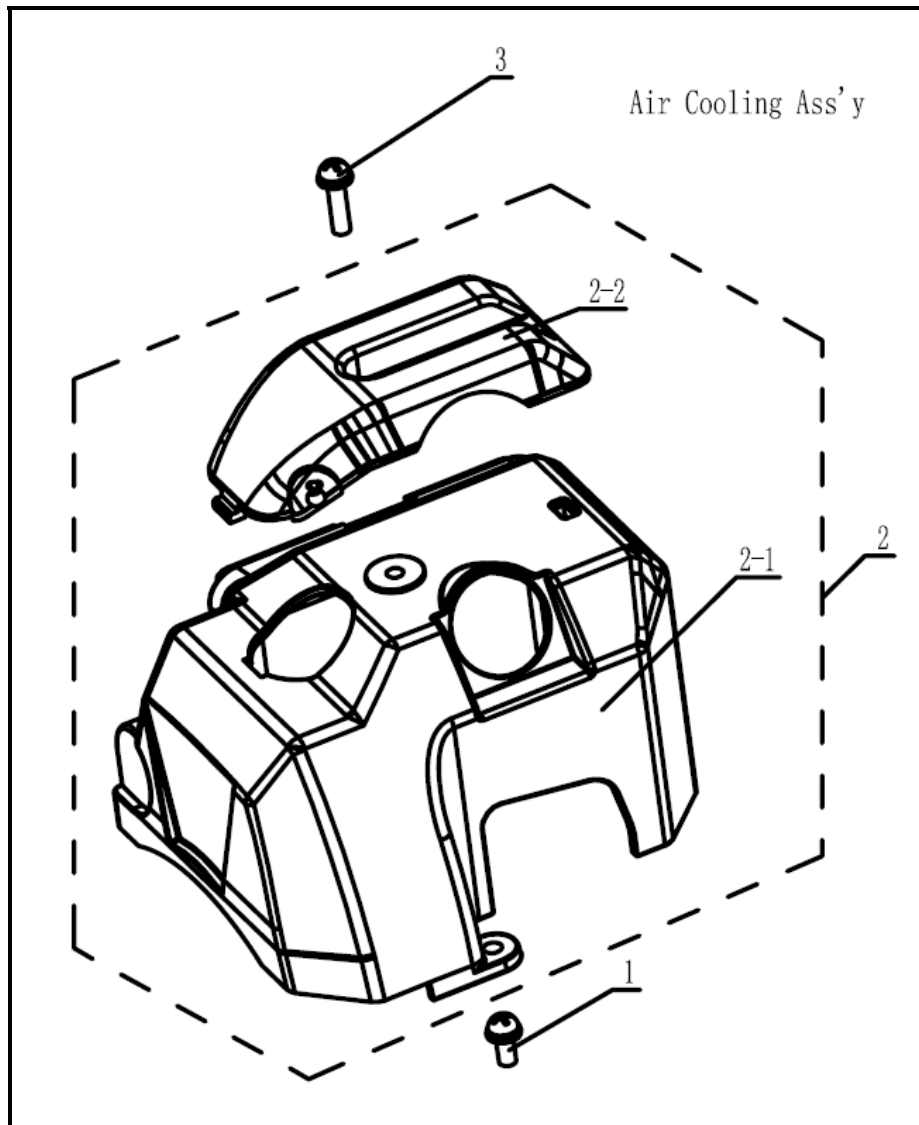
REF. NO.	DESCRIPTION	PART NO.	QTY
1	Stud, M6 x 1.0 x 63	<i>Reference Only</i>	2
2	Gasket, Muffler	A201107	1
3	Cylinder	<i>Reference Only</i>	1
4	Spark Plug	A200730	1
5	Screw, M5 x 0.8 x 20, SHCS, Grade 8.8	<i>Reference Only</i>	4
6	Gasket, Cylinder	<i>Reference Only</i>	1
7	Gasket, Isolator	A200838	1
8	Assembly, Carburetor Isolator	A200839	1
9	Flat Washer, M5	<i>Reference Only</i>	2
10	Lock Washer, M5	<i>Reference Only</i>	2
11	Screw, M5 x 0.8 x 25, SHCS, Grade 8.8	<i>Reference Only</i>	2
12	Gasket, Carburetor	A200841	1

# Ignition Assembly



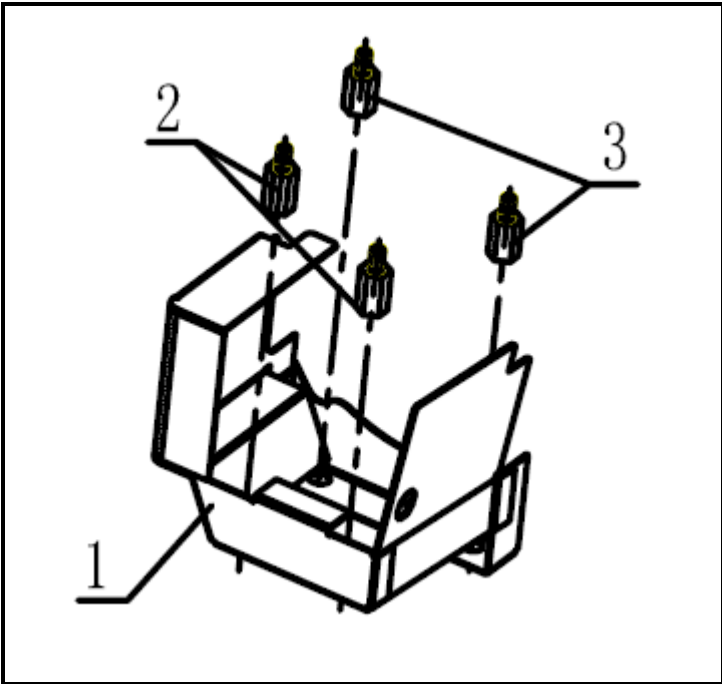
REF. NO.	DESCRIPTION	PART NO.	QTY
1	Flywheel	A202704	1
2	Ignition Module	A202703	1
3	Flat Washer, M5	<i>Reference Only</i>	2
4	Lock Washer, M5	<i>Reference Only</i>	2
5	Screw, M5 x 0.8 x 20, SHCS, Grade 8.8	<i>Reference Only</i>	2
6	Wire Harness	A203678	1

# Air Cooling Assembly



REF. NO.	DESCRIPTION	PART NO.	QTY
1	Screw, M5 x 0.8 x 16, PHPD	<i>Reference Only</i>	1
2	Assembly, Air Cover	A203676	1
2-1	Cover, Cylinder	<i>Reference Only</i>	1
2-2	Cover, Air Cooling	<i>Reference Only</i>	1
3	Screw, M5 x 0.8 x 23, PHPD	<i>Reference Only</i>	1

# Engine Air Intake Screen Assembly



REF. NO.	DESCRIPTION	PART NO.	QTY
1	Screen, Engine Air Intake	<i>Reference Only</i>	1
2	Bushing 1	<i>Reference Only</i>	2
3	Bushing 2	<i>Reference Only</i>	2
4	Assembly, Engine Air Intake Screen (Includes items #1-3)	A203677	1

# Decal Kit

**SWSTM4317**  
Southland Wheeled String Trimmer-Mower

MFG Date Code: 8 46236 00709 9

**TO START**

1. Add fuel to the fuel tank.
2. Push ON/OFF switch to "ON" position.
3. Move throttle lever to "START" position.
4. Push primer bulb (minimum 3 times).
5. Pull starter handle (minimum 3 times).
6. If you still cannot start, check the fuel mixture and make sure the spark plug is properly gapped.
7. If you are still unable to start, refer to the manual for more information.

REFER TO OPERATORS MANUAL FOR MORE INFO

FOR SERVICE

800-737-2112  
southlandpower.com

**CARB compliant**  
California  
conformant

6705 W. 4th Way  
Long Beach, CA 90807

SWSTM4317  
Made in China For parts and service call 1-800-737-2112

Check filter and service according to manufacturer's instructions (see manual)

STOP ON / RUN

12mm x 30mm

75mm x 28mm  
Clear Backer

25mm x 35mm  
Clear Backer

25mm x 162mm  
Clear Backer

Clear the engine air intake screen every time the trimmer string is replaced.

30mm x 15mm (from radius)

**NOTICE**

**2-CYCLE ENGINE OIL**  
Add contents of this jug to 1 gallon of gasoline and mix thoroughly for 50:1 ratio.  
Mix only with fresh, unleaded gasoline.  
Do not use motor oil.  
Mix only with fresh, unleaded gasoline.  
Do not use motor oil.

2-CYCLE DECAL  
65MM X 35MM  
RADIUS= 6,5MM

**SWIVEL CONTROL**

TRIM ACTUATOR DECAL  
65MM X 35MM  
RADIUS= 6,5MM

**SOUTHLAND**  
43 CC  
17" CUTTING WIDTH  
2 CYCLE ENGINE  
DUAL-SWITCH EXTERIOR SPARK LINE  
STRING TRIMMER/MOWER

Engine Shroud Decal  
110.12mm x 73.61mm

**SOUTHLAND**  
2" Diameter

Engine Decal  
2" Diameter

5" AND 10" BEVEL TRIM ADJUSTMENT

Bevel Trim Adjustment Decal 2

**Fuel Mixture 50:1**  
50 parts Gasoline to 1 part Oil  
Always use fresh, unleaded gasoline.  
Do not use motor oil.

**SWIVEL POSITIONS**

TRIM POSITION  
CUTTING POSITION  
BLOW POSITION

**FUEL MIXTURE AND POINT DECAL**  
65MM X 35MM  
RADIUS= 6,5MM

String Storage Decal  
8" x 1"; 0.25" Radius Corners

5" AND 10" BEVEL TRIM ADJUSTMENT

TRIMMER STRING CUT POINT

Trim String Cut Point Decal  
2.5" x 1"; 0.25" Radius Corners

**SOUTHLAND**  
TRIMMER ACTUATED THROTTLE CONTROL

THROTTLE CONTROL DECAL  
65MM X 35MM  
RADIUS= 6,5MM

**SAFETY WARNINGS:** CONTOUR LINE: May be torn or damaged. May generate dust containing lead. Wash hands after use. Keep out of reach of children.  
WARNING: Do not operate this device until you have read the instructions, which is a crime in the State of California to cause serious and willful injury to another person's health. For more information see the instructions.  
ADVERTENCIA: CONTOUR LINE: Puede ser rasgado o dañado. Puede generar polvo que contiene plomo. Lávese las manos después de usar. Manténgalo fuera del alcance de los niños.  
ADVERTENCIA: No opere este dispositivo hasta que haya leído las instrucciones, y cumplir con ellas, es un delito en el Estado de California porque causa lesiones graves y dañinas a la salud de otra persona.  
ADVERTENCIA: CONTIENE PLOMO. Puede ser rasgado o dañado al usarse. Puede generar polvo que contiene plomo. Lávese las manos después de usar. Manténgalo fuera del alcance de los niños.  
ADVERTENCIA: Este producto le podría exponer a partículas químicas inhalables. Evite el contacto con el dispositivo como resultado de un defecto de fabricación o como resultado de un uso inadecuado. Para obtener más información, visite www.southlandpower.com

REF. NO.	DESCRIPTION	PART NO.	QTY
	Decal Kit	A203639	1