



ILLUSTRATED PARTS BOOK

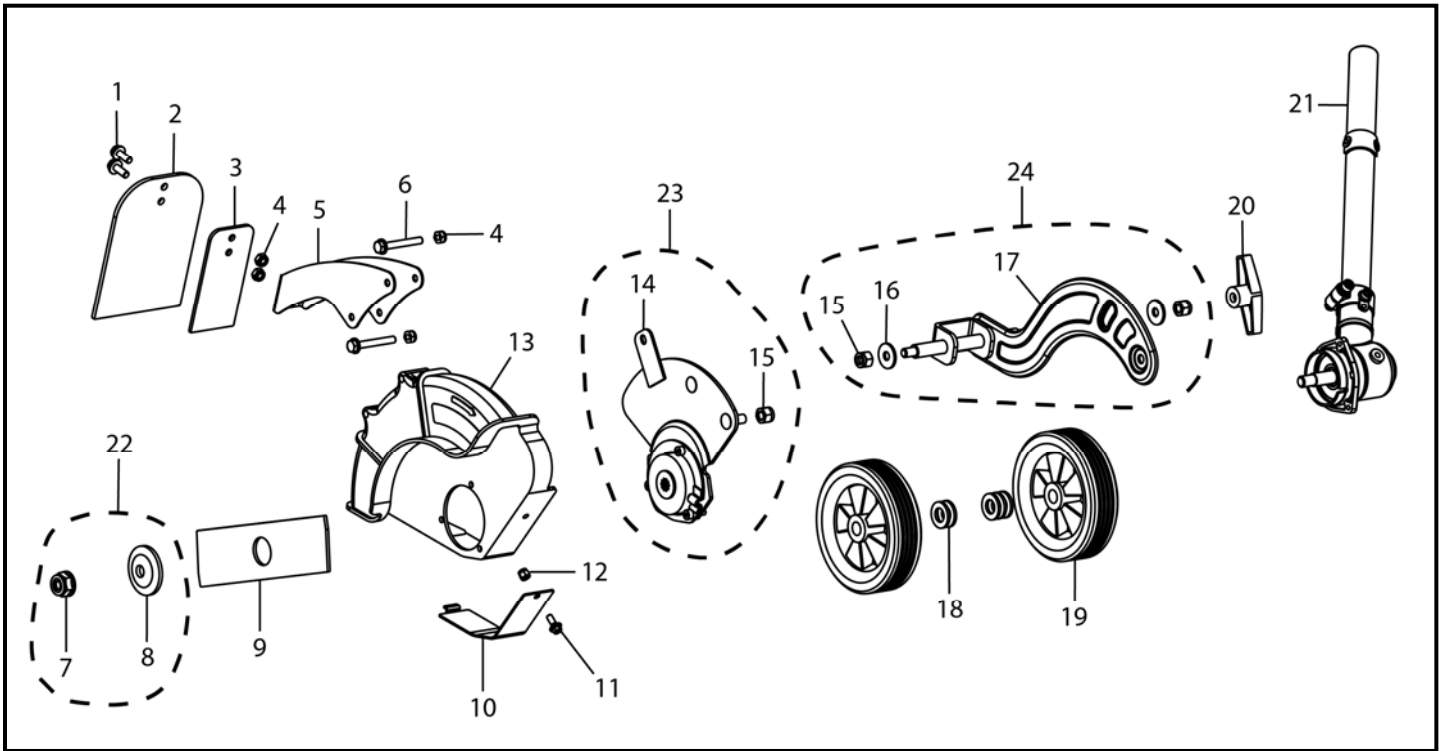
43cc Wheeled String Trimmer Mower Edger Attachment
SWSTMEA



Table of Contents

| | |
|--------------------|---|
| Unit Assembly..... | 2 |
| Decal Kit..... | 3 |

Unit Assembly

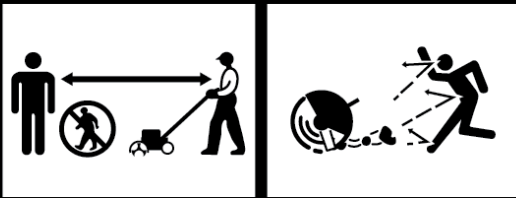


| REF. NO. | DESCRIPTION | PART NO. | QTY |
|----------|-----------------------------------------------|-----------------------|-----|
| 1 | Screw, M6 x 1.0 x 15, HFH, Grade 8.8 | <i>Reference Only</i> | 2 |
| 2 | Shield, Debris | A203836 | 1 |
| 3 | Plate, Debris Shield, Southland Red | A203837 | 1 |
| 4 | Nut, M6 x 1.0, Hex, Nylon Insert | <i>Reference Only</i> | 4 |
| 5 | Bracket, Debris Shield, Southland Red | A203844 | 1 |
| 6 | Screw, M6 x 1.0 x 45, HFH, Grade 8.8 | <i>Reference Only</i> | 2 |
| 7 | Nut, M10 x 1.25, LH, Hex Flange, Nylon Insert | <i>Reference Only</i> | 1 |
| 8 | Washer, Blade Retaining | <i>Reference Only</i> | 1 |
| 9 | Blade, 8" | A203835 | 1 |
| 10 | Plate, Wear | A203839 | 1 |
| 11 | Screw, M5 x 0.8 x 12, HFH, Grade 8.8 | <i>Reference Only</i> | 1 |
| 12 | Nut, M5 x 0.8, Hex, Nylon Insert | <i>Reference Only</i> | 1 |
| 13 | Guard, Blade | A203845 | 1 |
| 14 | Assembly, Inner Mounting Bracket | <i>Reference Only</i> | 1 |
| 15 | Nut, M8 x 1.25, Hex, Nylon Insert | <i>Reference Only</i> | 3 |
| 16 | Flat Washer, M8 | <i>Reference Only</i> | 2 |
| 17 | Assembly, Height Adjustment Bracket | <i>Reference Only</i> | 1 |
| 18 | Flat Washer, 13 x 24 x 2.5 | <i>Reference Only</i> | 5 |
| 19 | Wheel, 4.75" | A203838 | 2 |
| 20 | Knob, T Handle | A200190 | 1 |
| 21 | Assembly, Gearbox | A203842 | 1 |
| 22 | Kit, LH Nut and Retaining Washer | A203871 | 1 |
| 23 | Kit, Inner Mounting Bracket, Southland Red | A203846 | 1 |
| 24 | Kit, Height Adjustment Bracket, Southland Red | A203843 | 1 |

Decal Kit

⚠️ WARNING

Avoid Serious Injury or Death



 **SOUTHLAND**®



⚠️ DANGER

ROTATING BLADE

**KEEP HANDS
AND FEET AWAY**



| REF. NO. | DESCRIPTION | PART NO. | QTY |
|----------|----------------------|----------|-----|
| 1 | Decal Kit, Southland | A203848 | 1 |