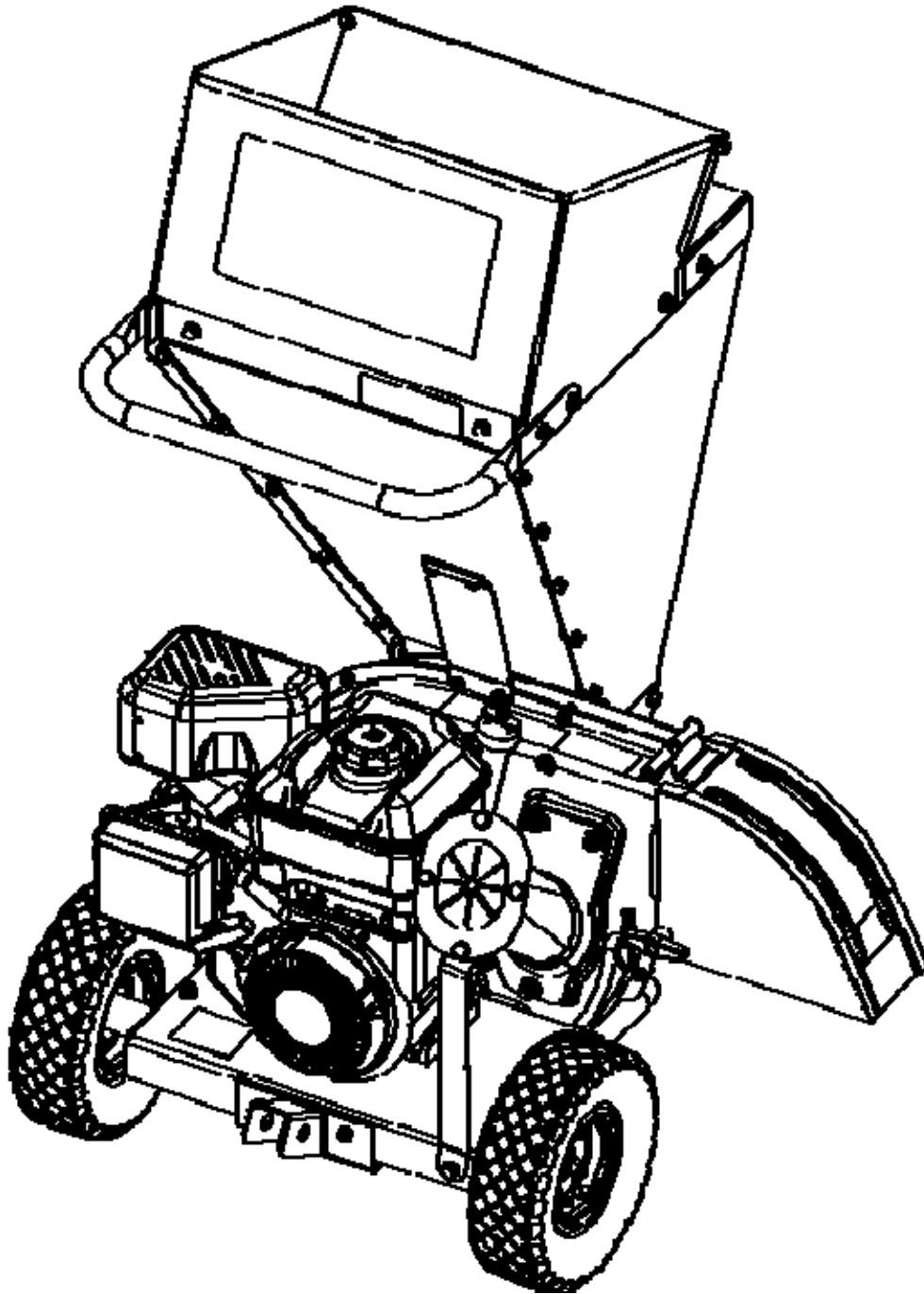


# **SOUTHLAND<sup>®</sup>**

## **ILLUSTRATED PARTS BOOK**

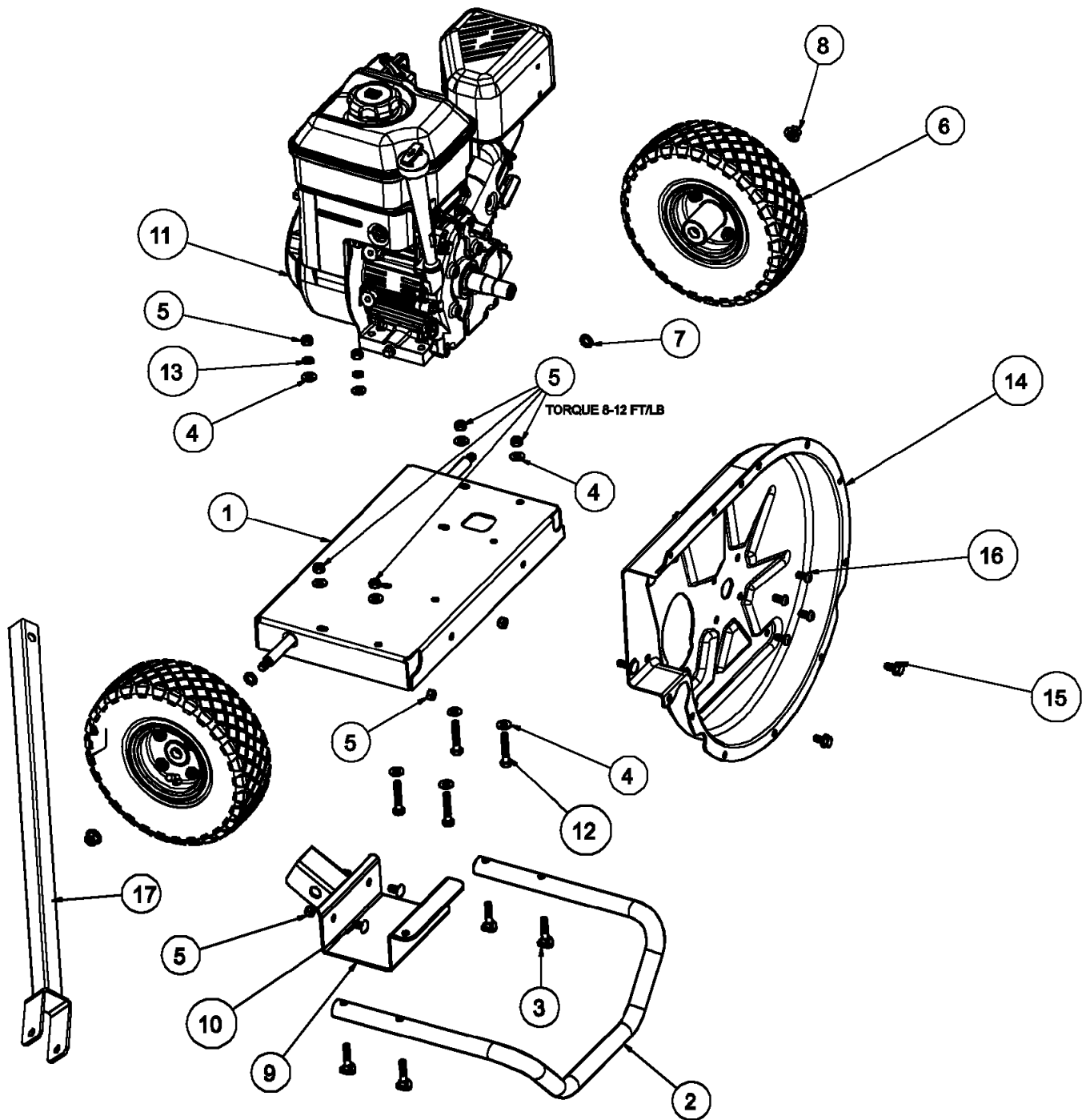
**SCS2052**



# Table of Contents

<b>Engine and Main Frame</b> .....	2-3
<b>Impeller and Housing</b> .....	4
<b>Chipper Chute</b> .....	5
<b>Shredder Hopper and Decal Location</b> .....	6
<b>Debris Bag and Discharge Chute</b> .....	7
<b>Decal Kit</b> .....	8

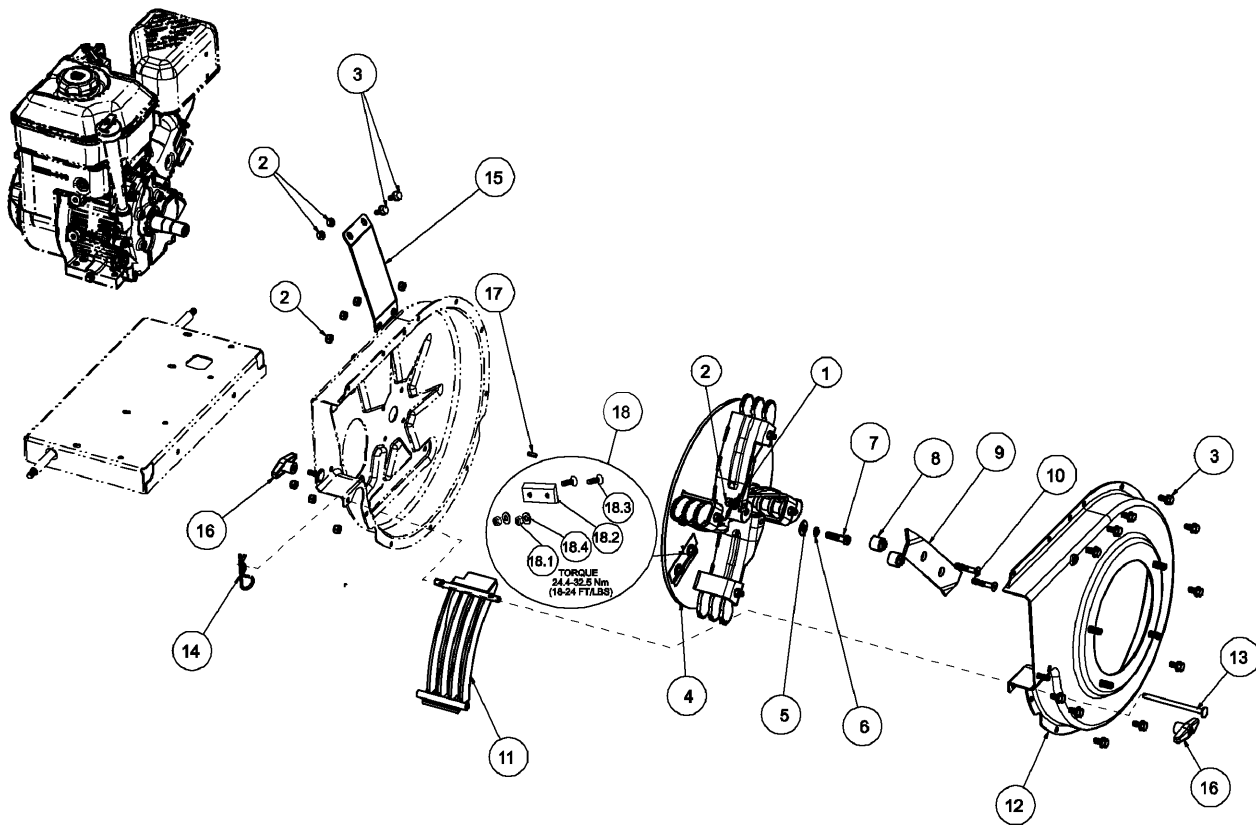
# Engine and Main Frame



## Engine and Main Frame

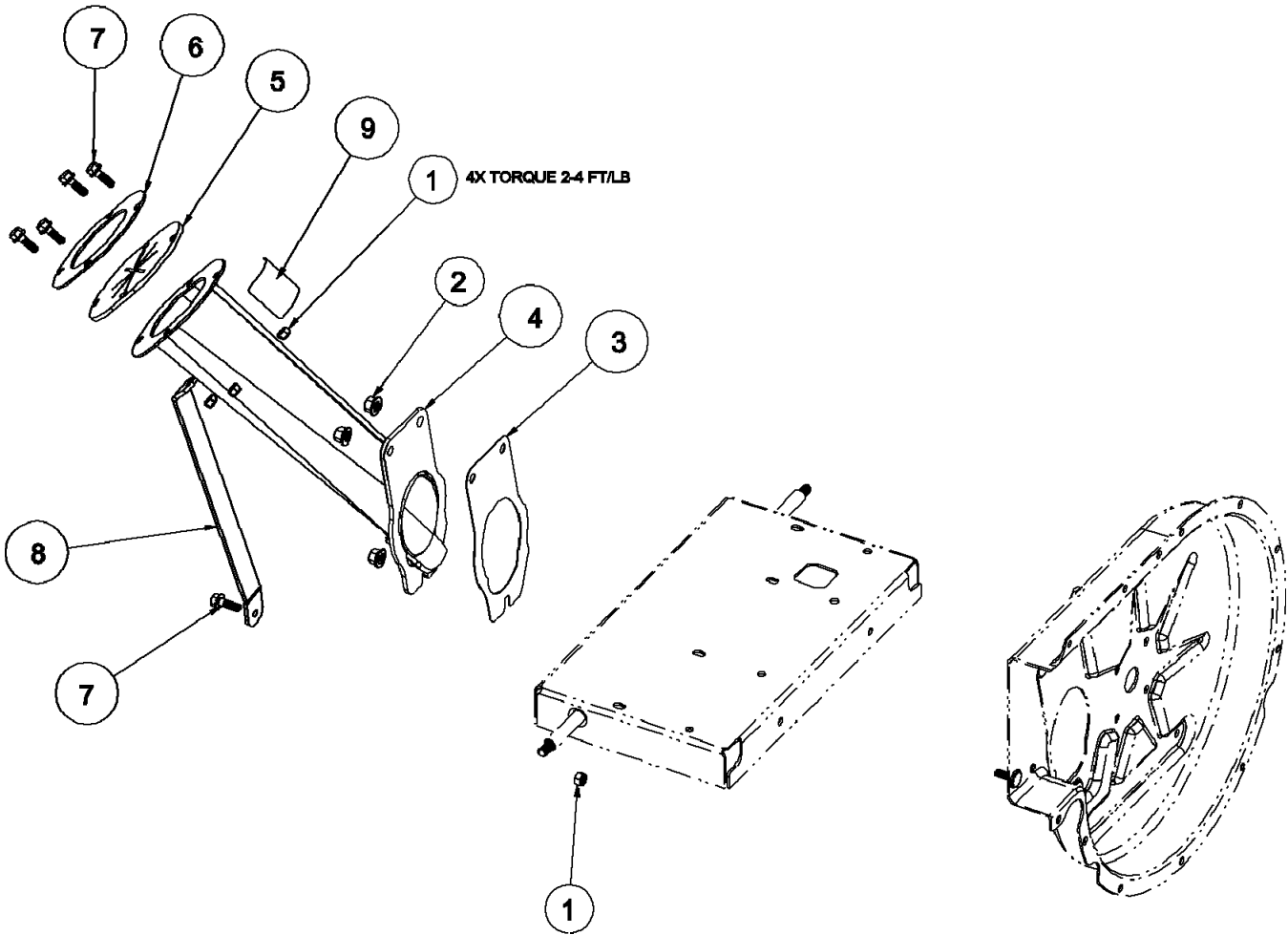
REF. NO.	DESCRIPTION	PART NO.	QTY
1	Weldment, Engine Base	A202571	1
2	Tube, Front Foot	A201219	1
3	Bolt, Curved Head, Sq. Neck, M8 x 1.25 x 45, Grade 8.8	A202629	4
4	Washer, Flat M8	<i>For Reference Only</i>	12
5	Nut, Hex Nylock M8 x 1.25, Grade 8.8	<i>For Reference Only</i>	12
6	Wheel & Tire Assembly 4.10/3.50-4	A202572	2
7	Washer, Flat M10	<i>For Reference Only</i>	2
8	Nut, Hex-Lock M10 x 1.5, Grade 8.8	<i>For Reference Only</i>	2
9	Weldment, Hitch Plate	A202573	1
10	Bolt, Carriage, Short Sq. Neck, Yellow Zinc, M8 x 1.25 x 16	A203052	2
11	Engine, Briggs & Stratton 800 Series 205CC	A203013	1
12	Screw, Hex Hd. Cap, M8 x 1.25 x 40, Grade 8.8	<i>For Reference Only</i>	4
13	Washer, Split Ring Lock M8	<i>For Reference Only</i>	4
14	Weldment, Impeller Housing, Inner	A202541	1
15	Screw, Hex Flange, Yellow Zinc, M8 x 1.25 x 16, Grade 8.8	<i>For Reference Only</i>	2
16	Screw, HSBCS, Black Oxide, M8 x 1.25 x 16, Grade 8.8	<i>For Reference Only</i>	4
17	Optional Tow Bar Accessory	CSTB2	1

# Impeller and Housing



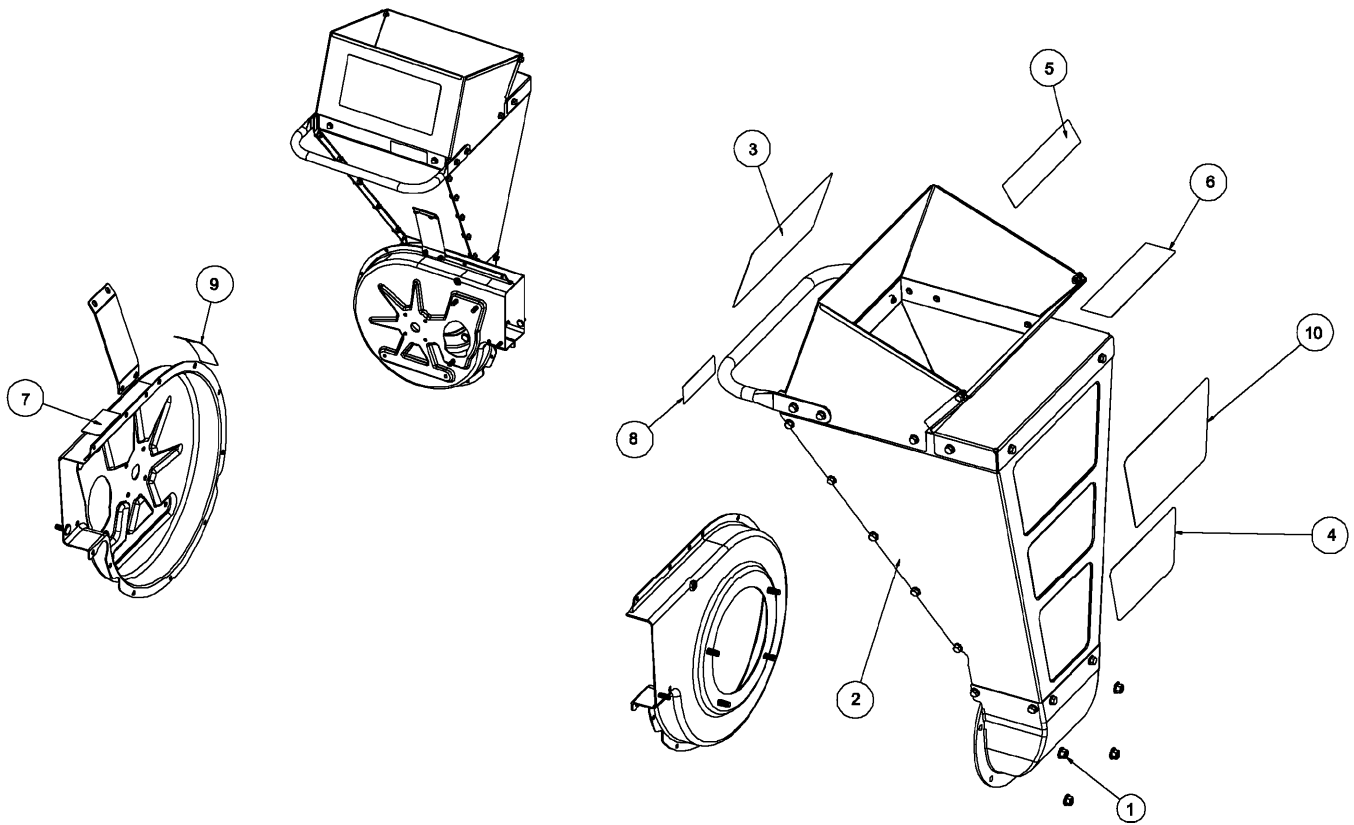
REF. NO.	DESCRIPTION	PART NO.	QTY
1	Washer, Flat M8	<i>For Reference Only</i>	2
2	Nut, Hex Nylock M8 x 1.25, Grade 8.8	<i>For Reference Only</i>	14
3	Screw, Hex Flange, Yellow Zinc, M8 x 1.25 x 16, Grade 8.8	<i>For Reference Only</i>	14
4	Impeller Assembly	A201785	1
5	Washer, 3/8 ID x 0.88 OD x .105 TH	<i>For Reference Only</i>	1
6	Washer, Split Ring Lock, 3/8	<i>For Reference Only</i>	1
7	Bolt, Hex Hd. Cap, Black Oxide, 3/8-24 x 1.5, Grade 8	A202071	1
8	Spacer, Shredder Blade	A200677	2
9	Blade, Shredder	A202591	1
10	Bolt, HSFCS, Black Oxide, M8 x 1.25 x 45, Grade 10.9	A203057	2
11	Weldment, Discharge Grate	A202549	1
12	Weldment, Impeller Housing, Outer	A202542	1
13	Locator Pin, Shredder Grate	A201797	1
14	Clevis Pin	A201799	1
15	Brace, Shredder Hopper	A201790	1
16	Knob, Hex Lock Nut, M8 x 1.25	A200190	2
17	Key, Square, 4.75 x 4.75 x 15.0	<i>For Reference Only</i>	1
18	Blade Mounting Kit	A203134	1
18.1	Nut, Hex Nylock M8	<i>For Reference Only</i>	2
18.2	Blade, Chipper	<i>For Reference Only</i>	1
18.3	Screw, Flat HD SHCS, M8 x 1.25 x 25	<i>For Reference Only</i>	2
18.4	Washer, Flat M8	<i>For Reference Only</i>	2

# Chipper Chute



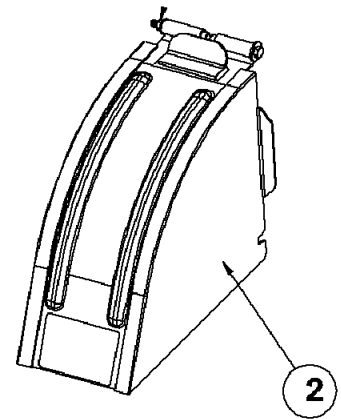
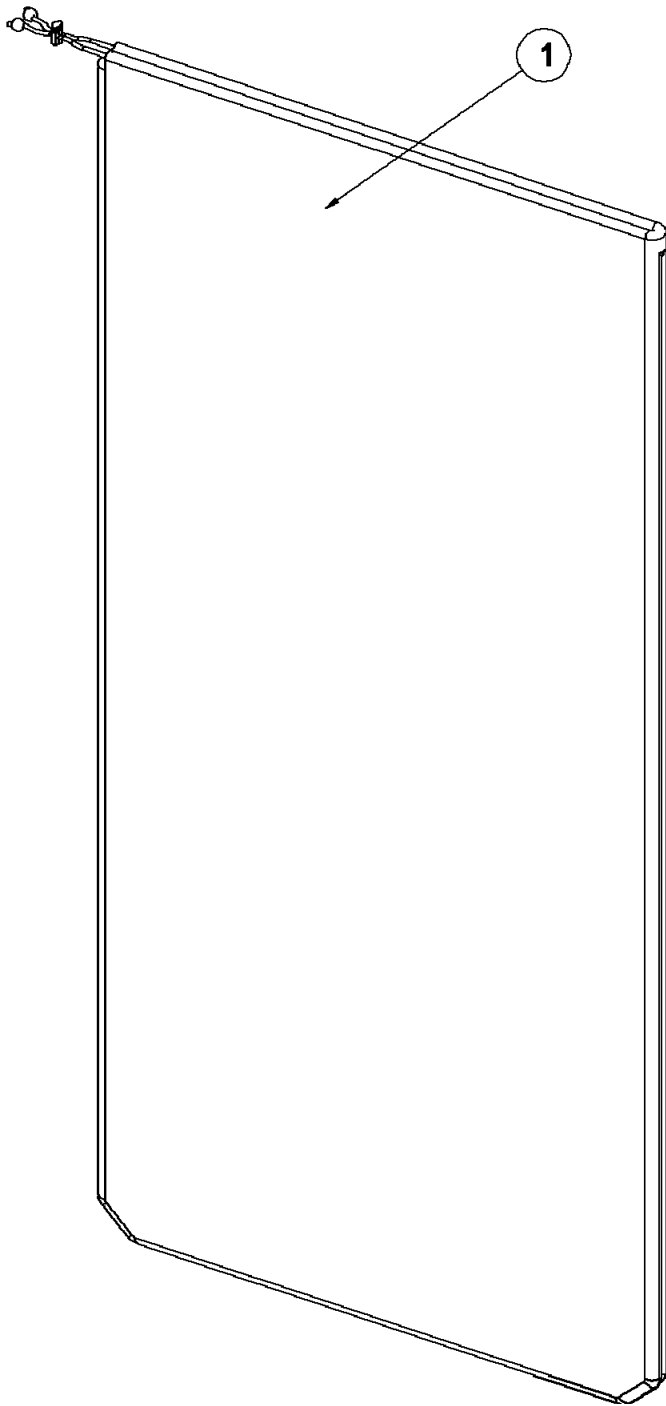
REF. NO.	DESCRIPTION	PART NO.	QTY
1	Nut, Hex Nylock M8 x 1.25, Grade 8.8	<i>For Reference Only</i>	5
2	Nut, Hex-Lock M10 x 1.5, Grade 8.8	<i>For Reference Only</i>	4
3	Shim, Chipper Chute	A203024	1
4	Weldment, Chipper Tube Assembly	A202581	1
5	Cover, Rubber-Chute	A202595	1
6	Flange, Chipper Chute	A202575	1
7	Screw, Hex Hd. Flange, M8 x 1.25 x 25, Grade 8.8	<i>For Reference Only</i>	1
8	Brace, Chipper Chute	A201870	2
9	Label, Danger – Amputation Hazard	<i>For Reference Only</i>	2

# Shredder Hopper and Decal Locations



REF. NO.	DESCRIPTION	PART NO.	QTY
1	Nut, Hex-Lock M10 x 1.5, Grade 8.8	<i>For Reference Only</i>	4
2	Hopper Assembly	A202587	1
3	Label, Southland – Chipper Shredder	<i>For Reference Only</i>	1
4	Label, Unit Features – Chipper Shredder	<i>For Reference Only</i>	1
5	Label, Amputation Hazard – No Hands Below This Line	<i>For Reference Only</i>	1
6	Label, Danger/Warning – Avoid Serious Injury	<i>For Reference Only</i>	1
7	Label, Thrown Object Hazard	<i>For Reference Only</i>	1
8	Label, Warning – Impact Hazard	<i>For Reference Only</i>	1
9	Label, Warning – Fire Hazard	<i>For Reference Only</i>	1
10	Label, Southland – Chipper Shredder – Front	<i>For Reference Only</i>	1

# Debris Bag and Discharge Chute



REF. NO.	DESCRIPTION	PART NO.	QTY
1	Bag, Mulch	A203077	1
2	Chute, Discharge	A203113	1



