



ILLUSTRATED PARTS BOOK

2-Cycle 30cc Brush cutter and Trimmer

S-HBR-3017-SBEZ-E and S-HBR-3017-SBEZ



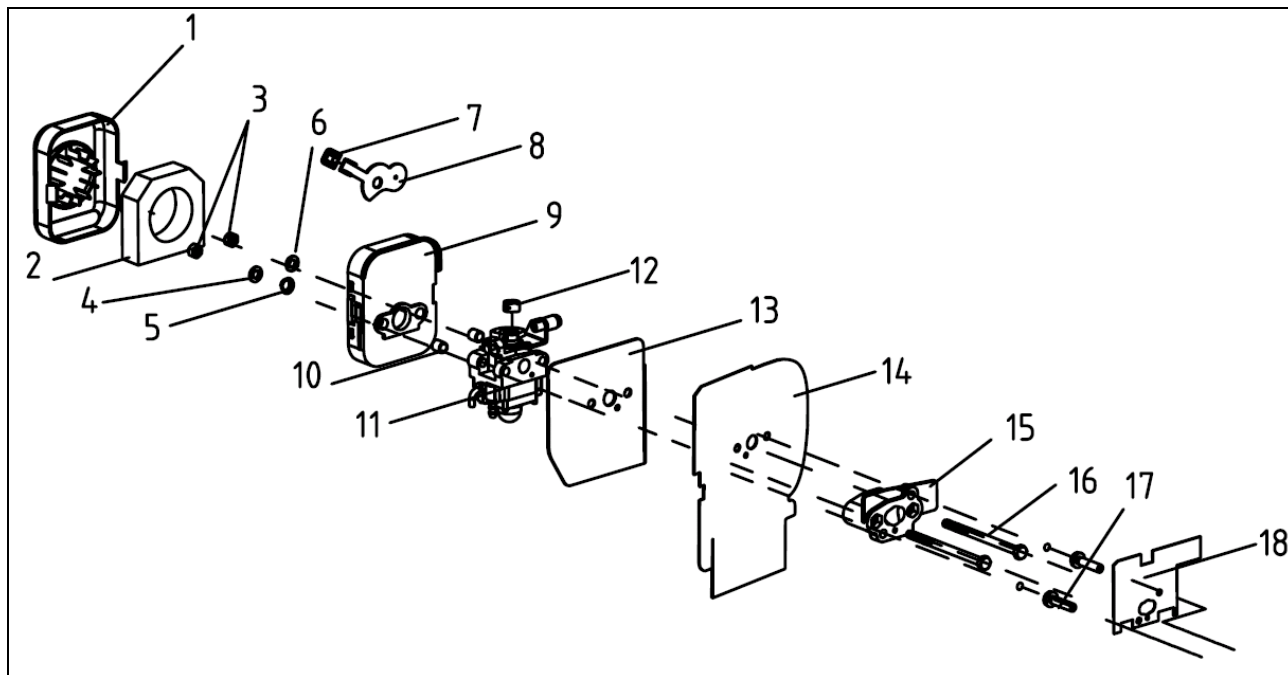
Table of Contents

Kit Sub-Assemblies 3 - 7

Engine Assembly..... 8 - 10

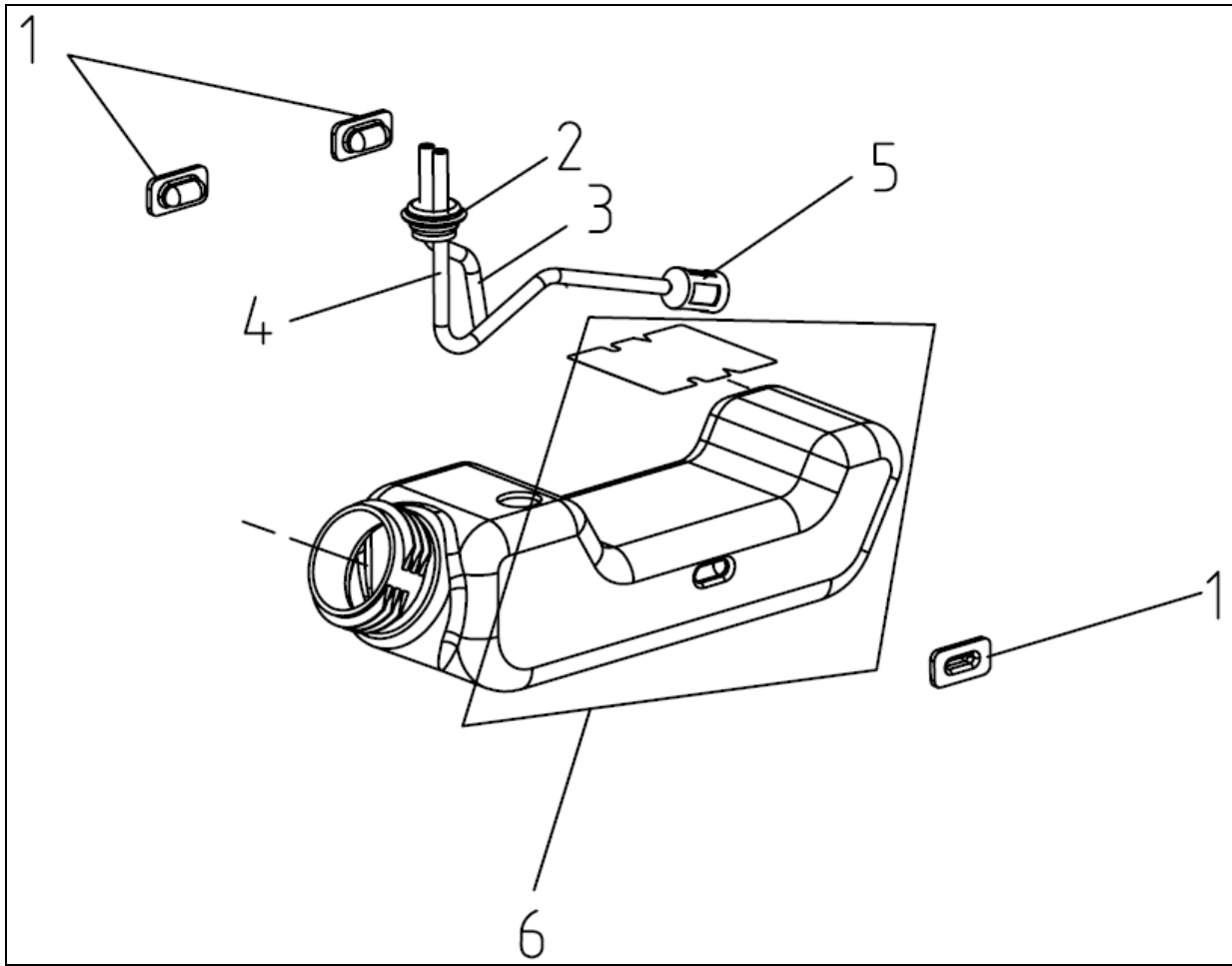
Handle Assembly 11 -12

Carburetor Kit – **A101273**



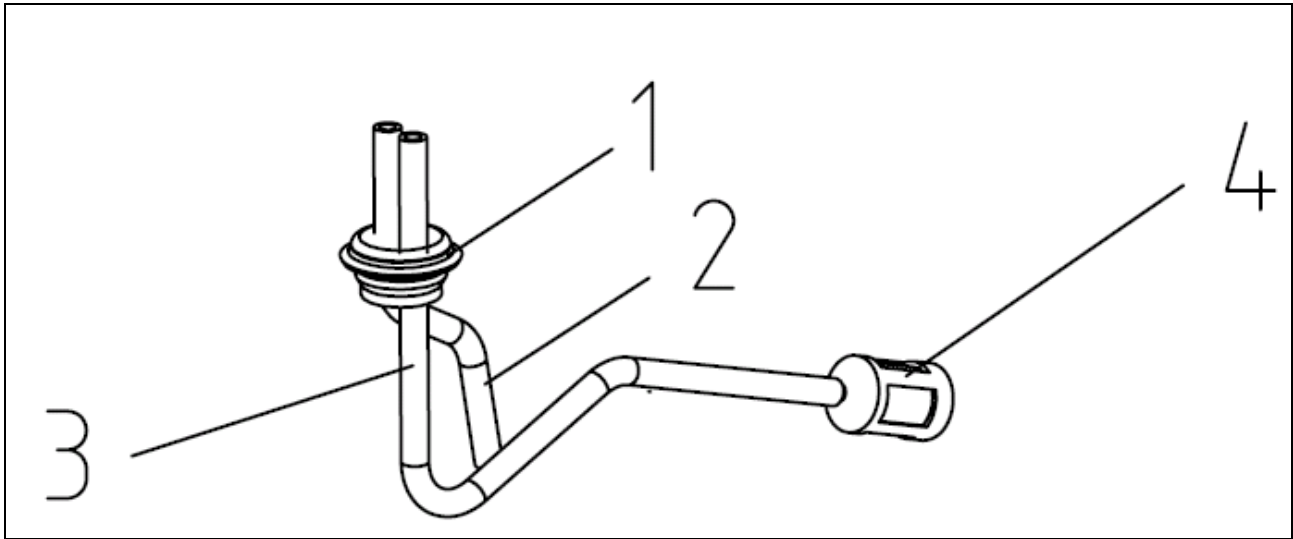
REF. NO.	DESCRIPTION	PART NO.	QTY
1	Cover, Air Box	A101289	1
2	Filter	A101290	1
3	Nut, M5	A101291*	2
4	Washer, $\phi 5 \times \phi 13.5$	A101292*	2
5	Spring, Choke	A101293*	1
6	Washer, $\phi 5 \times \phi 10$	A101294*	1
7	Cap, Choke Lever	A101295*	1
8	Lever, Choke	A101296*	1
9	Box, Air Filter	A101297*	1
10	Spacer, Air Filter	A101298*	2
11	Carburetor	A200264	1
12	Bushing, Throttle Line	A101300*	1
13	Gasket, Carburetor	A101301*	1
14	Shield, Heat	A101302*	1
15	Manifold, Carburetor	A101401*	1
16	Bolt, M5×80	A101402*	2
17	Screw, M5×28	A101403*	2
18	Gasket, Carburetor Manifold	A101306*	1

Fuel Tank Kit – A101274



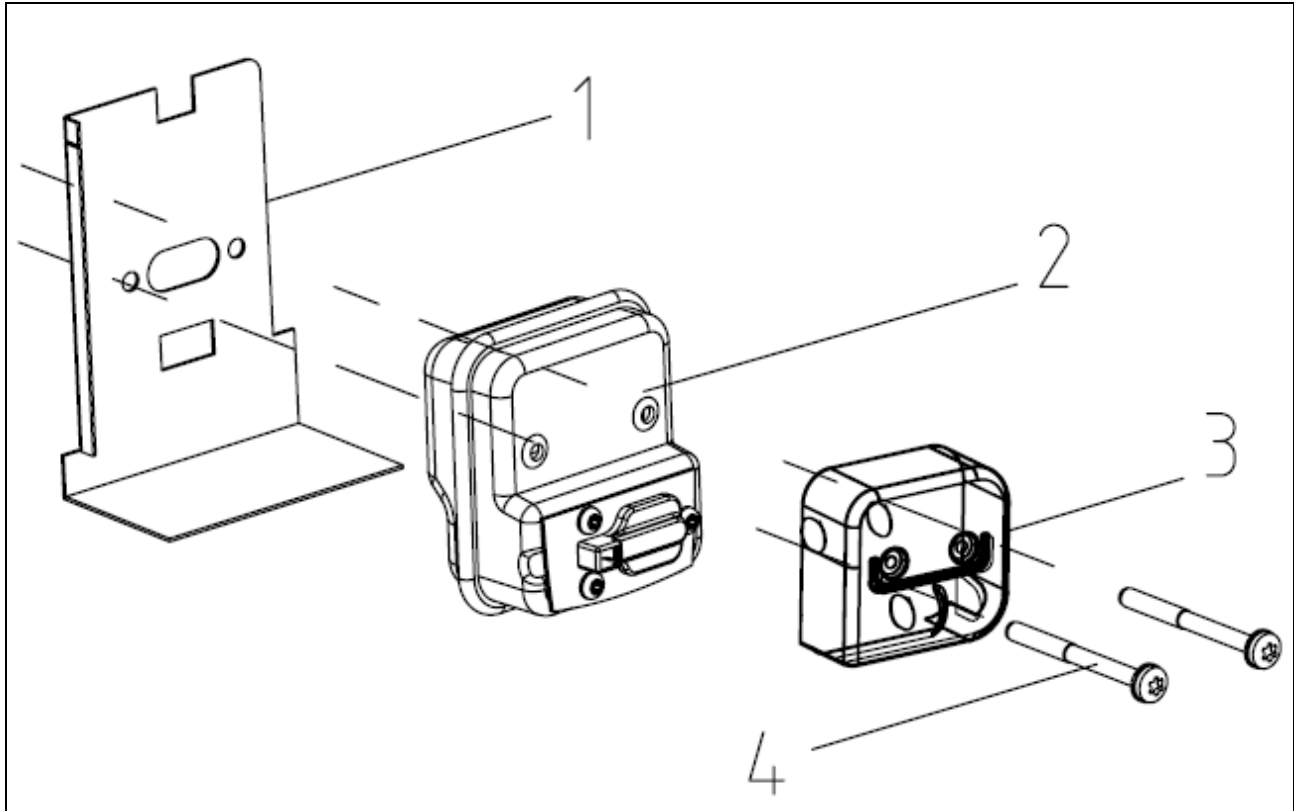
REF. NO.	DESCRIPTION	PART NO.	QTY
1	<i>Bushing, Fuel Tank</i>	A101332*	3
2	<i>Grommet, Fuel Tank</i>	A101333*	1
3	Line, Inlet Fuel	A101335	1
4	Line, Outlet Fuel	A101334	1
5	Filter, Fuel	A101336	1
6	Fuel Tank (including. Heat Shield)	A101337	1

Fuel Line Kit – A101275



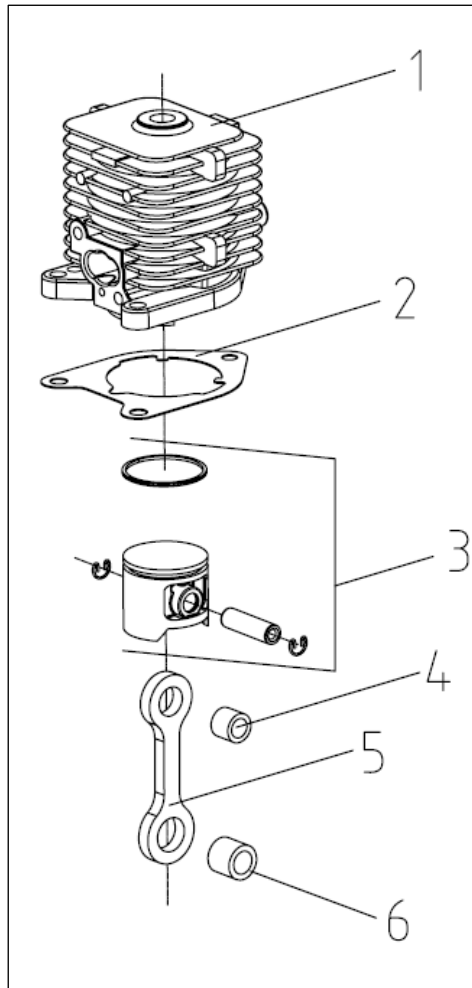
REF. NO.	DESCRIPTION	PART NO.	QTY
1	<i>Grommet, Fuel Tank</i>	A101333*	1
2	Line, Outlet Fuel	A101334	1
3	Line, Inlet Fuel	A101335	1
4	Filter, Fuel	A101336	1

Muffler Kit, Trimmer – A101272



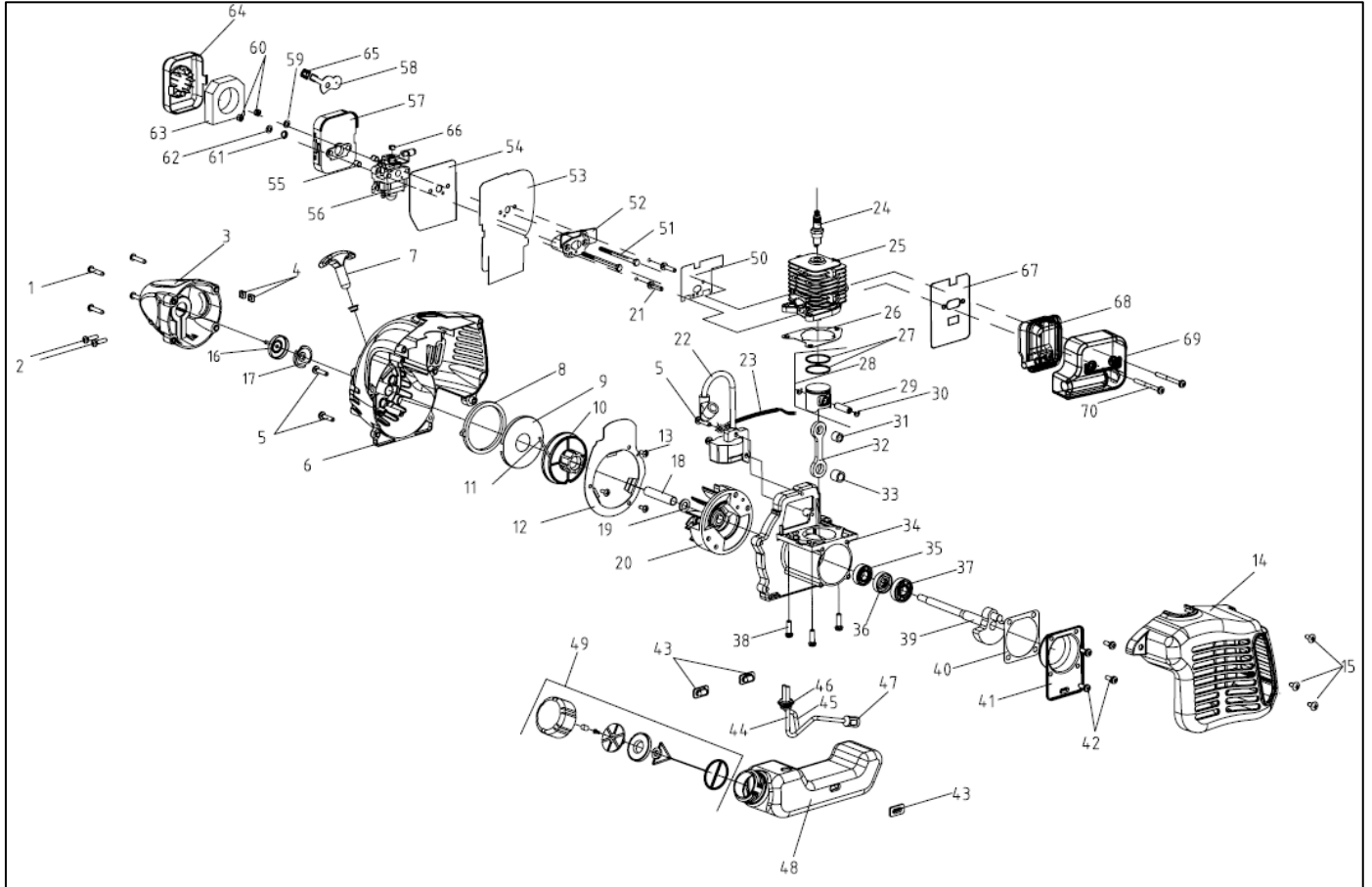
REF. NO.	DESCRIPTION	PART NO.	QTY
1	<i>Gasket, Trimmer Muffler</i>	<i>A200271*</i>	1
2	Muffler, Trimmer	A200272	1
3	Cover, Trimmer Muffler	A200273	1
4	<i>Screw, M5×56</i>	<i>A101331*</i>	2

Piston / Cylinder /Connecting Rod / Bearing Kit – A101278



REF. NO.	DESCRIPTION	PART NO.	QTY
1	<i>Cylinder</i>	A200235*	1
2	<i>Gasket, Cylinder</i>	A101309*	1
3	<i>ASM, 30cc Piston</i>	A200238*	1
4	<i>Bearing, Needle 8×12×10</i>	A101311*	1
5	<i>Rod, Connecting</i>	A101312*	1
6	<i>Bearing, Needle 9.5×14.3×10</i>	A101313*	1

Engine Assembly

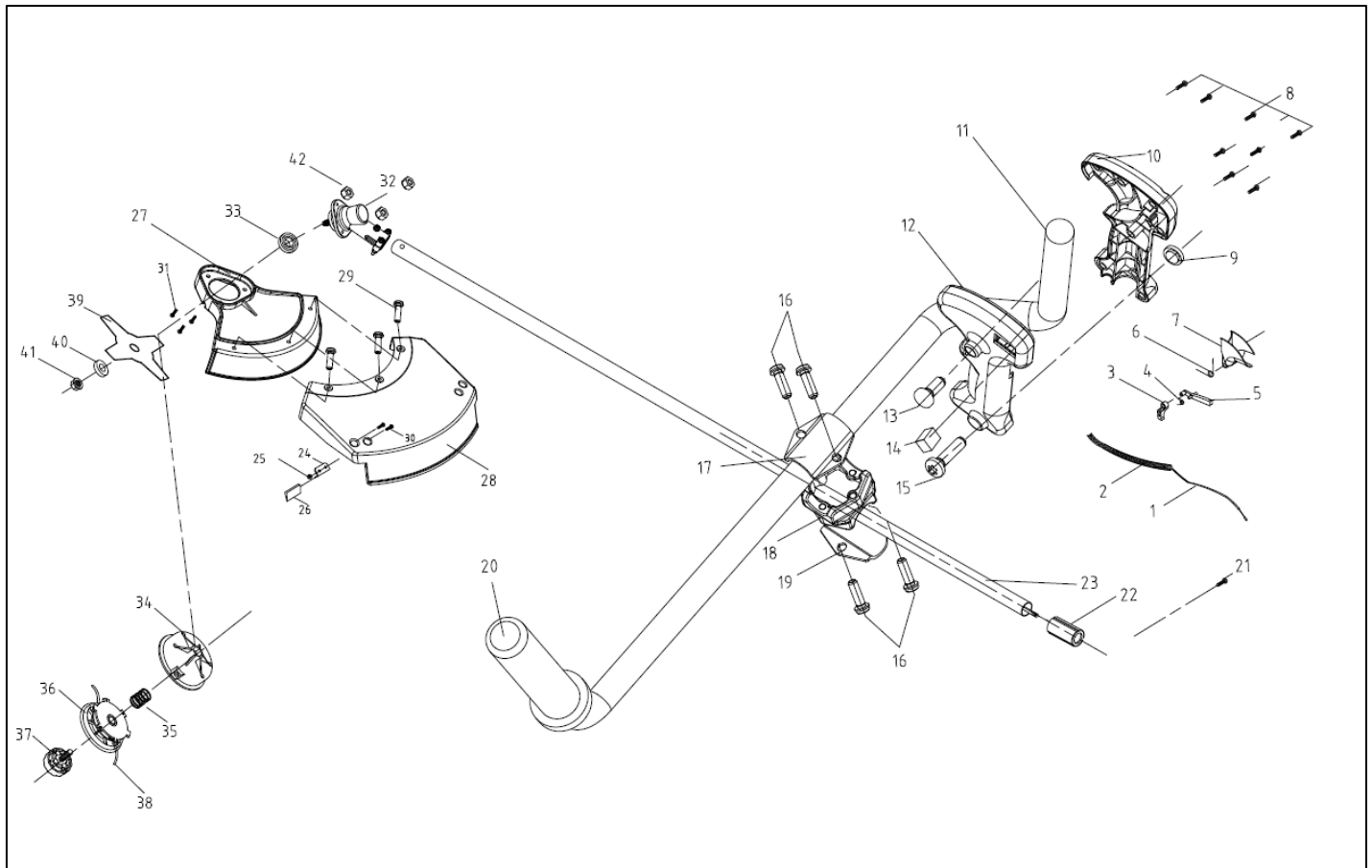


Engine Assembly

REF. NO.	DESCRIPTION	PART NO.	QTY
1	<i>Screw, M5×25</i>	A200210	4
2	<i>Bolt, M5×20</i>	A101345	2
3	<i>Cover, Clutch</i>	A200212	1
4	<i>Nut, M5</i>	A200213	2
5	<i>Bolt, M5×23</i>	A101305	4
6	<i>Cover, Front</i>	A200215	1
7	<i>Handle, Starter</i>	A101339	1
8	<i>Spring ASM, Starter</i>	A200217	1
9	Retainer, Starter Spring	A101350	1
10	Reel, Starter	A200220	1
11	Rope, Starter	A101352	1
12	<i>Retainer, Starter</i>	A200221	1
13	<i>Screw, M4×12</i>	A200222	3
14	<i>Cover, Rear</i>	A200223	1
15	<i>Screw, M5×16</i>	A101346	3
16	<i>Housing, Clutch</i>	A200224	1
17	<i>Shoes, Clutch</i>	A200228	1
18	<i>Spacer</i>	A200227	1
19	<i>Washer, φ10</i>	A200229	1
20	<i>Flywheel</i>	A200230*	1
21	<i>Bolt, M5×28</i>	A101403*	3
22	<i>Module, Ignition</i>	A200232*	1
23	<i>Wire, Switch</i>	A200233*	1
24	Spark Plug	A101307	1
25	<i>Cylinder</i>	A200235*	1
26	<i>Gasket, Cylinder</i>	A101309*	1
27	<i>Ring, Piston</i>	A200237*	1
28	<i>ASM, 30cc Piston</i>	A200238*	1
29	<i>Pin, Piston</i>	A200239*	1
30	<i>Retainer, Piston Pin</i>	A200240*	2
31	<i>Bearing, Needle 8×12×10</i>	A101311*	1
32	<i>Rod, Connecting</i>	A101312*	1
33	<i>Bearing, Needle 9.5×14.3</i>	A101313*	1
34	<i>Crankcase</i>	A101320*	1

35	<i>Bearing, Outer</i>	A101321*	1
36	<i>Seal, Crankcase</i>	A101322*	1
37	<i>Bearing, Inner</i>	A101323*	1
38	<i>Bolt, M6×20</i>	A101319*	3
39	<i>Crankshaft</i>	A200249*	1
40	<i>Gasket, Crankcase</i>	A101325*	1
41	<i>Plug, Crankcase</i>	A101326*	1
42	<i>Screw, M5×15</i>	A101327*	6
43	<i>Retainer, Fuel Tank</i>	A101332*	3
44	Line, Outlet Fuel	A101334	2
45	Line, Inlet Fuel	A101335	2
46	Grommet, Fuel Tank	A101333	1
47	Filter, Fuel	A101336	1
48	ASM, Fuel Tank	A101337	1
49	ASM, Fuel Cap	A101338	1
50	<i>Gasket, Carburetor Manifold</i>	A101306*	1
51	<i>Screw, M5×80</i>	A101402*	2
52	<i>Manifold, Carburetor</i>	A101401*	1
53	<i>Shield, Heat</i>	A101302*	1
54	<i>Gasket, Carburetor shield</i>	A101301*	1
55	<i>Spacer, Air Filter</i>	A101298*	2
56	Carburetor, Trimmer	A200264	1
57	<i>Box, Air Filter</i>	A101297*	1
58	<i>Lever, Choke</i>	A101296*	1
59	<i>Washer, $\phi 5 \times \phi 10$</i>	A101294*	2
60	<i>Nut, M5</i>	A101291*	2
61	<i>Spring, Choke</i>	A101293*	1
62	<i>Washer, $\phi 5 \times \phi 13.5$</i>	A101292*	1
63	Filter	A101290	1
64	Cover, Air Box	A101289	1
65	<i>Cap, Choke Lever</i>	A101295*	1
66	<i>Bushing, Throttle Line</i>	A101300*	1
67	<i>Gasket, Trimmer Muffler</i>	A200271*	1
68	Muffler, Trimmer	A200272	1
69	Shield, Trimmer Muffler	A200273	1
70	<i>Screw, M5×56</i>	A101331*	2
71	<u>Kit, Recoil Starter, Trimmer/Brushcutter (includes 6-13)</u>	A101280	1

Handle Assembly



Handle Assembly

REF. NO.	DESCRIPTION	PART NO.	QTY
1	<i>Cable, Throttle</i>	A100953*	1
2	<i>Tubing, Corrugated Flex</i>	A100952*	1
3	<i>Lever, Internal Throttle Lock</i>	A100945*	1
4	<i>Spring, Throttle Safety</i>	A100946*	1
5	<i>Lever, Throttle Lock</i>	A100947*	1
6	<i>Spring, Throttle Lock</i>	A100948*	1
7	<i>Trigger, Throttle</i>	A100949*	1
8	<i>Screw, ST3.5X15</i>	A100951*	8
9	<i>Nut, M6</i>	A200444*	2
10	<i>Throttle Handle, Right Half</i>	A200445*	1
11	<i>Handle, Bike</i>	A200446*	1
12	<i>Throttle Handle, Left Half</i>	A200447*	1
13	<i>Lock, Cruise Control</i>	A200448*	1
14	On/off Switch, Ignition	A100942	1
15	<i>Bolt, M6×35</i>	A200450*	1
16	<i>Bolt, Handle Mounting, M6×16</i>	A200451*	2
17	<i>Handle Mounting Plate, Up</i>	A200452*	1
18	<i>Handle Mounting Plate, Middle</i>	A200453*	1
19	<i>Handle Mounting Plate, Down</i>	A200454*	1
20	<i>Grip, Brushcutter Handle</i>	A200455*	1
21	<i>Screw, M5×13</i>	A100955*	1
22	<i>Anti-vibe Bushing, Drive Shaft</i>	A100956*	1
23	ASM, Straight Shaft (includes Flex Cable)	A200292	1
24	<i>Blade, Line Trim</i>	A100963*	1
25	<i>Nut, M5</i>	A100964*	2
26	<i>Protective Cover, Blade</i>	N/A*	2

27	Guard, Brushcutter	A200463	1
28	Expandable Guard, Trimmer	A200462	2
29	<i>Screw, M6×20</i>	<i>A200464*</i>	1
30	<i>Screw, M5X15</i>	<i>A100966*</i>	3
31	<i>Screw, Gear Head, 10-24UNCX3/4</i>	<i>A200301*</i>	1
32	ASM, Gear Head	A200302	1
33	<i>Spacer, Mounting</i>	<i>A200304*</i>	1
34	Housing, Bump Head	A200305	1
35	Spring, Bump Head	A200310	1
36	Spool, Bump Head (with #38)	A200311	1
37	Knob, Bump Head	A200312	1
38	Trimmer Line (with #36)	A200311	1
39	Blade, Brushcutter	A200478	1
40	<i>Retainer, Blade</i>	<i>A200479*</i>	1
41	<i>Nut, M10×1.25-left</i>	<i>A200480*</i>	1
42	<i>Nut, Gear Head, 10-24UNC</i>	<i>A200300*</i>	3

MAT Engine Technologies, LLC
Long Grove, IL 60047

Rev. 08/2011